

Dell PowerVault MD3600i and
MD3620i Storage Arrays

Getting Started With Your System

系统使用入门

Memulai Pengaktifan dengan
Sistem Anda

はじめに

시스템 시작 안내서



Dell PowerVault MD3600i and
MD3620i Storage Arrays

**Getting Started With
Your System**

Regulatory Model Series E03J and E04J



Notes, Cautions, and Warnings



NOTE: A NOTE indicates important information that helps you make better use of your computer.



CAUTION: A CAUTION indicates potential damage to hardware or loss of data if instructions are not followed.



WARNING: A WARNING indicates a potential for property damage, personal injury, or death.

Information in this publication is subject to change without notice.

© 2011 Dell Inc. All rights reserved.

Reproduction of these materials in any manner whatsoever without the written permission of Dell Inc. is strictly forbidden.

Trademarks used in this text: Dell™, the DELL logo, and PowerVault™ are trademarks of Dell Inc. Microsoft® and Windows Server® are either trademarks or registered trademarks of Microsoft Corporation in the United States and/or other countries. Red Hat® and Red Hat Enterprise Linux® are registered trademarks of Red Hat, Inc. in the United States and other countries. SUSE® is a registered trademark of Novell, Inc. in the United States and other countries. VMware® is a registered trademark of VMware, Inc. in the United States and/or other jurisdictions.

Other trademarks and trade names may be used in this publication to refer to either the entities claiming the marks and names or their products. Dell Inc. disclaims any proprietary interest in trademarks and trade names other than its own.


Regulatory Model Series E03J and E04J

2011 - 08

P/N 22P7F


Rev. A02

Before You Begin

 **NOTE:** Throughout the document, Dell PowerVault MD3600i series storage array refers to both Dell PowerVault MD3600i and Dell PowerVault MD3620i. Dell PowerVault MD1200 series expansion enclosure refers to both Dell PowerVault MD1200 and Dell PowerVault MD1220.

Before setting up your Dell PowerVault MD3600i series storage array, you must consider certain best practices to ensure that your storage array operates at maximum efficiency and offers full redundancy (if required).

- The PowerVault MD3600i series storage array is a 10GBase-T product that requires a 10GBase-T capable infrastructure that consists of Category 6 or higher cables, 10GBase-T capable patch panels, and switches.
- Existing 1GBase-T infrastructures can be used either through a 10GBase-T switch, that interconnects the 10GBase-T network, or by manually configuring the iSCSI ports to run at 1GBase-T speeds. You can also use the Modular Disk Configuration Utility (MDCU) to configure the port speeds. For more information about MDCU, see "Installing the MD Storage Software" on page 14.

 **NOTE:** Auto-negotiation is not supported and the operation speed must be configured manually.

- Throughout the network, always use a Category 6 (or higher) Ethernet cable.
- It is recommended that you use a dedicated IP SAN for iSCSI data transmission. Management traffic can be isolated on a separate management network.
- Complete the iSCSI configuration worksheet before configuring iSCSI. See "Completing the iSCSI Worksheet" on page 5. This worksheet gathers physical network information in a single source.
- After completing the iSCSI worksheet, draw the configuration before setting up the solution.
- Always configure redundant iSCSI data paths to provide alternate paths to and from the host server should one of the data paths become disabled.

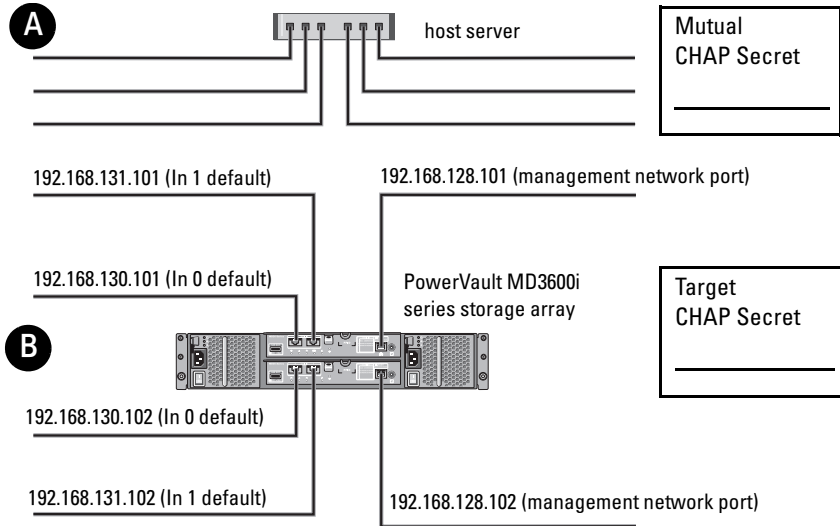
- If multiple NICs are installed on a host, it is recommended that you use different subnets for management and iSCSI data links.
- Before connecting any cables between the host server and storage array, physically label each port and connector.
- Always follow proper power-up and power-down procedures when cycling power across the network. You must also ensure that critical network components are on separate power circuits.



NOTE: The illustrations in this document show cabling for only one PowerVault MD3600i series storage array in a SAN environment. The illustrations also show only the default IP addresses for the PowerVault MD3600i series storage array. To cable more than one PowerVault MD3600i series storage array in a SAN environment, see the *Deployment Guide*.

Completing the iSCSI Worksheet

IPv4 Settings



If you need additional space for more than one host server, use an additional sheet.

NOTE: Challenge Handshake Authentication Protocol (CHAP) is an optional iSCSI authentication method where the storage array (target) authenticates iSCSI initiators on the host server. For more information, see “Understanding CHAP Authentication” in the *Deployment Guide*.


A Static IP address (host server)	Subnet mask	Default gateway
iSCSI port 0	_____	_____
iSCSI port 1	_____	_____
Management port	_____	_____

B Static IP address (storage array)	Subnet mask	Default gateway
iSCSI controller 0, In 0	_____	_____
iSCSI controller 0, In 1	_____	_____
Management port cntnl 0	_____	_____
iSCSI controller 1, In 0	_____	_____
iSCSI controller 1, In 1	_____	_____
Management port cntnl 1	_____	_____


 **NOTE:** For information about the IPv6 worksheet, see the *Deployment Guide*.

Other Documentation and Media You May Need

 **WARNING:** See the safety and regulatory information that shipped with your system. Warranty information may be included within this document or as a separate document.

 **NOTE:** All PowerVault MD3600i series storage array documents are available at support.dell.com/manuals.

- The rack documentation included with your rack solution describes how to install your system into a rack.
- The *Owner's Manual* provides information about system features and describes how to troubleshoot the system and install or replace system components.
- The *Deployment Guide* provides information about installing and configuring the software and hardware.
- The *CLI Guide* provides information about using the command line interface (CLI) to configure and manage your storage array.
- The *SMI-S Provider Installation Guide* provides information about installing the SMI-S provider.
- Any media that ships with your system that provides documentation and tools for configuring and managing your system, including those pertaining to the operating system, system management software, system updates, and system components that you purchased with your system.

 **NOTE:** Always check for updates on support.dell.com/manuals and read the updates first because they often supersede information in other documents.

Preparing the Host Server

Supported Operating Systems

- Microsoft Windows Server
- Red Hat Enterprise Linux
- SUSE Linux Enterprise Server
- VMware



NOTE: For the latest information on all supported operating system versions, see the *Support Matrix* at support.dell.com/manuals.

Additional NICs for iSCSI

When installing additional NICs, it is recommended that:

- You use dedicated redundant storage networks for iSCSI traffic. If a dedicated network is not feasible, isolate the iSCSI traffic from general network traffic using virtual local area networks (VLAN).
- You use additional NICs dedicated for iSCSI traffic.
- The NICs must be added in pairs for redundancy.



NOTE: A single NIC is also supported.

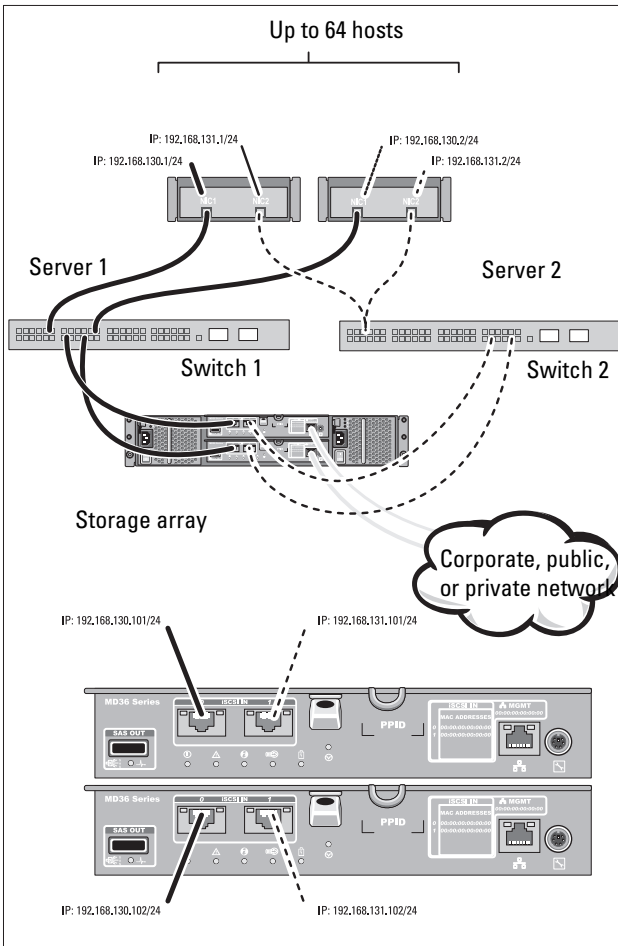
NIC Configuration

In a SAN environment, depending on the number of switches, it is recommended that you use two unique subnets for iSCSI traffic. For direct-attached storage environments, each NIC directly connected to the PowerVault MD36xxi must be on a separate subnet. All host IP addresses must be configured before installing the MD storage software.

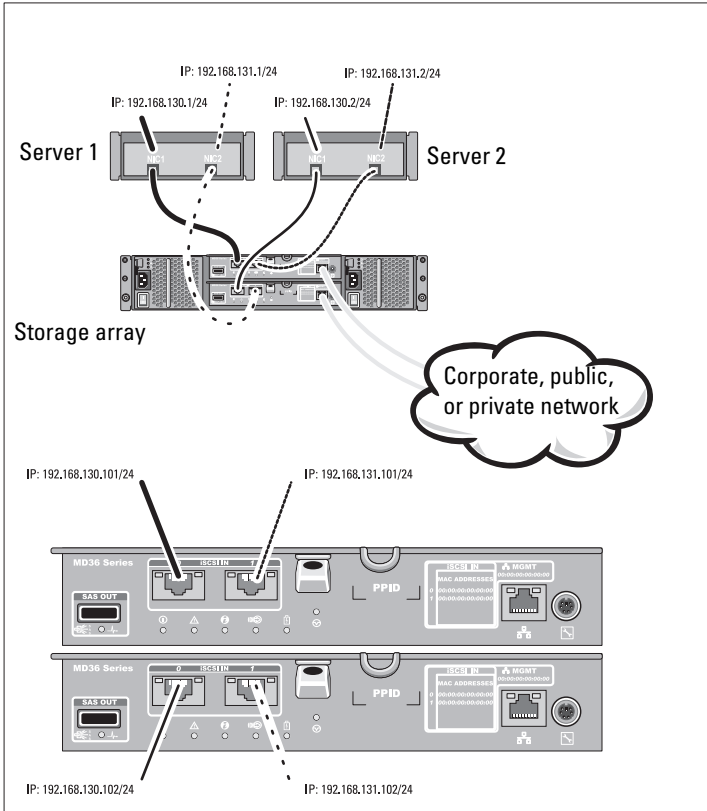
Common Configurations

Cabling Your SAN-Attached Hosts


Connect all cables between the servers, switches, and storage arrays as shown in the following illustration. For more examples of cabling the storage arrays, see the *Deployment Guide* at support.dell.com/manuals.



Cabling Your Direct-Attached Hosts



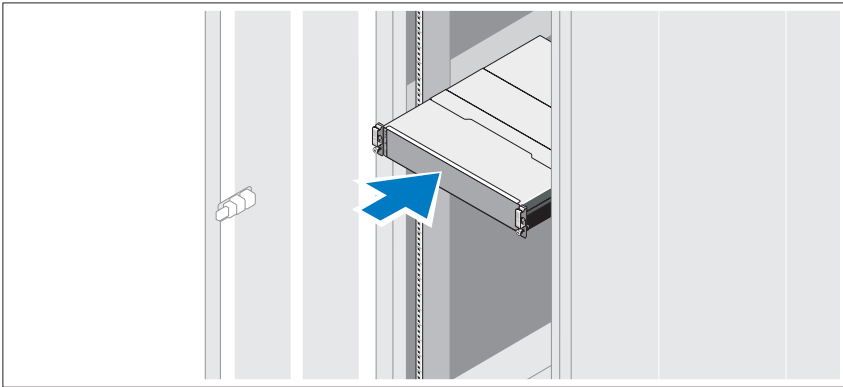
Installation and Configuration

 **WARNING:** Before performing the following procedure, review the safety instructions that came with the system.


Unpacking the System

Unpack your system and identify each item with the packing list that shipped with your system.

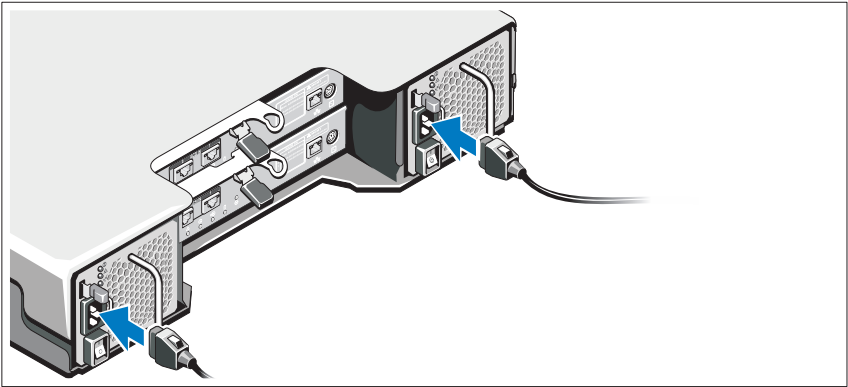
Installing the Rails and System in a Rack



Assemble the rails and install the system in the rack following the safety instructions and the rack installation instructions provided with your system.

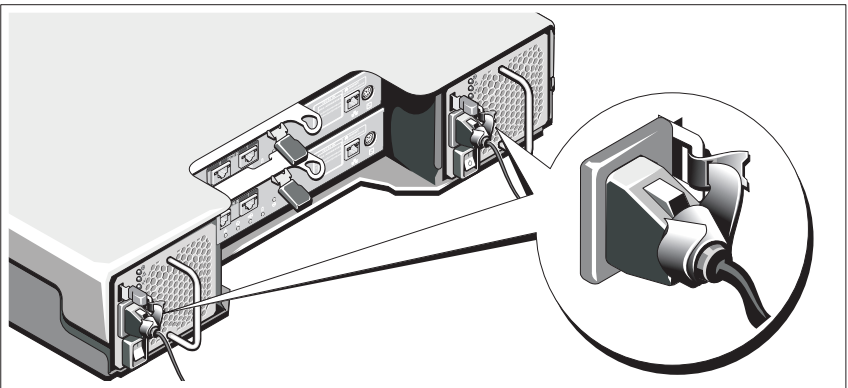
 **NOTE:** To balance the weight load, it is recommended that you install the PowerVault MD3600i series storage arrays at the bottom of the rack and the PowerVault MD1200 series expansion enclosures above it.

Connecting the Power Cable(s)



Ensure that the power switch is in the OFF position before connecting the power cables. Connect the system's power cable(s) to the system.

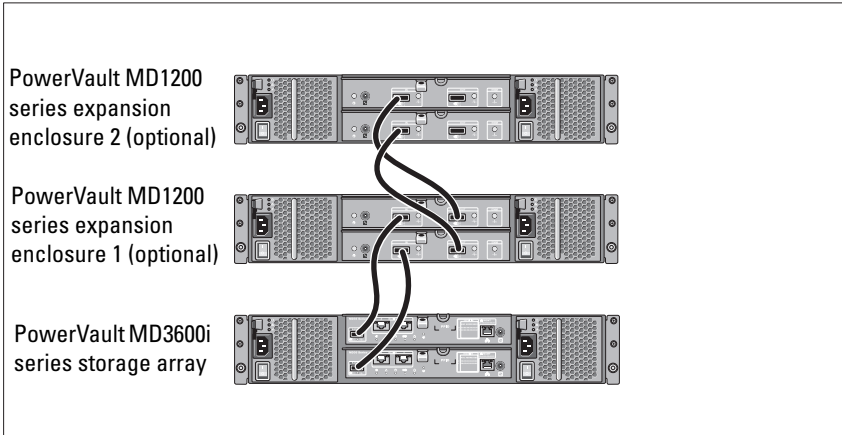
Securing the Power Cable(s)



Secure the cable(s) firmly to the bracket using the provided strap.

Plug the other end of the power cable(s) into a grounded electrical outlet or a separate power source such as an uninterruptible power supply (UPS) or a power distribution unit (PDU). Each power supply must be connected to a separate power circuit.

Cabling Your Expansion Enclosure



Turning On the Enclosure

Turn on components in the following order

- 1 Ethernet switches (if used)
- 2 PowerVault MD1200 series expansion enclosures (if used)

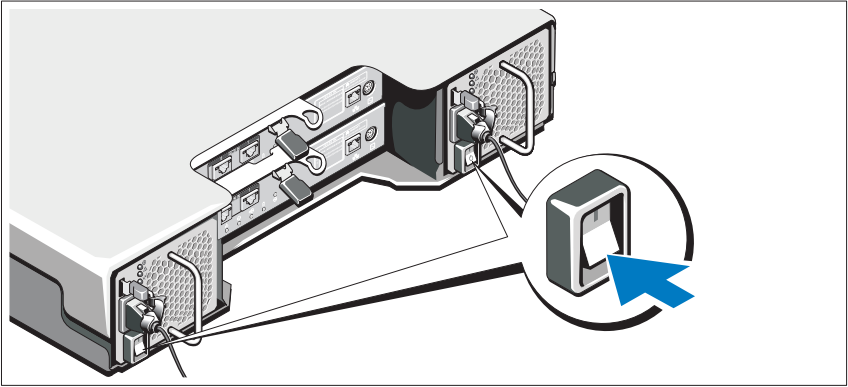


NOTE: Before turning on the storage array, ensure that the expansion enclosure status LED on the front of the enclosure is blue.

- 3 PowerVault MD3600i series storage array

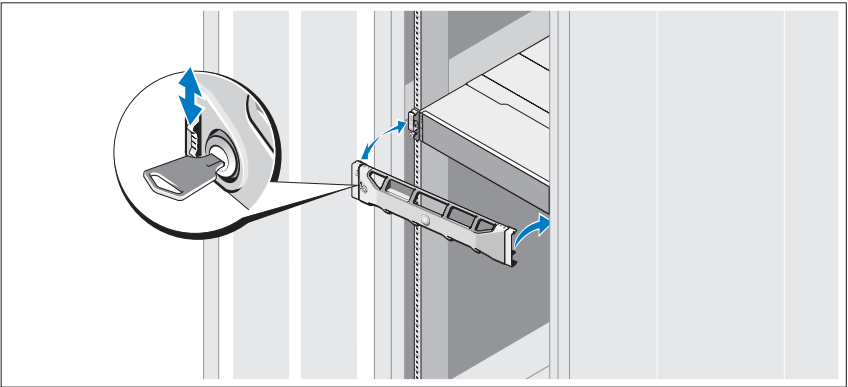


NOTE: Before turning on the host server(s), ensure that the storage array status LED on the front of the storage array is blue.




4 Host server(s)

Installing the Bezel



Install the bezel (optional).


Installing the MD Storage Software

 **NOTE:** For detailed instructions about installing the MD storage software, setting up the enclosure, and the post-installation tasks, see the *Deployment Guide*.

The MD Storage Manager software configures, manages and monitors the storage array. The MD Configuration Utility (MDCU) is an optional utility that provides a consolidated approach for configuring the management and iSCSI host ports, and creating sessions for the iSCSI modular disk storage arrays. It is recommended that you use MDCU to configure iSCSI on each host server connected to the storage array. To install the MD storage software:

- 1 Insert the MD series resource media.

Depending on your operating system, the installer may launch automatically. If the installer does not launch automatically, navigate to the root directory of the installation media (or downloaded installer image) and run the `md_launcher.exe` file. For Linux-based systems, navigate to the root of the resource media and run the `autorun` file.

 **NOTE:** By default, the Red Hat Enterprise Linux operating system mounts the resource media with the `-noexec mount` option which does not allow you to run executable files. To change this setting, see the **Readme** file in the root directory of the installation media.

- 2 Select **Install MD Storage Software**.
- 3 Read and accept the license agreement.
- 4 Select one of the following installation options from the **Install Set** drop-down menu:
 - **Full (recommended)**—Installs the MD Storage Manager (client) software, host-based storage agent, multipath driver, and hardware providers.
 - **Host Only**—Installs the host-based storage agent and multipath drivers.
 - **Management**—Installs the management software and hardware providers.
 - **Custom**—Allows you to select specific components.

- 5 Select the MD storage array model(s) you are setting up to serve as data storage for this host server.
- 6 Choose whether to start the event monitor service automatically when the host server reboots or manually



NOTE: This option is applicable only to Windows client software installation.

- 7 Confirm the installation location and click **Install**.
- 8 If prompted, reboot the host server after the installation completes.
- 9 When the reboot is complete, the MDCU may launch automatically. If the MDCU does not launch automatically, launch it manually.
 - In a Windows-based operating system, click **Start**→ **Dell**→ **Modular Disk Configuration Utility**.
 - In a Linux-based operating system, double-click the **Modular Disk Configuration Utility** icon on the desktop.



NOTE: If MDCU is not installed, see the *Deployment Guide* at support.dell.com/manuals.

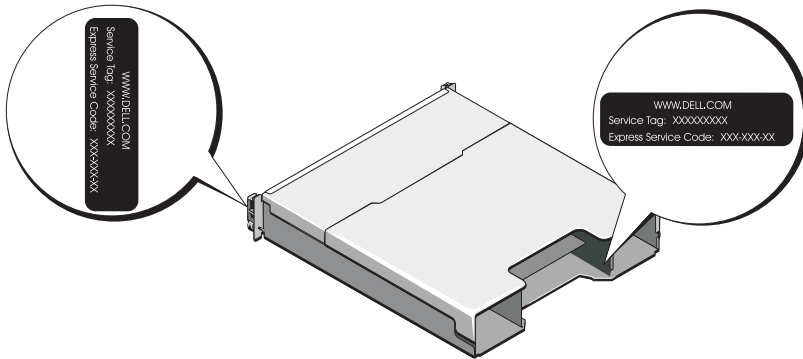
- 10 Start the **MD Storage Manager** and discover the array(s).
- 11 If applicable, activate any premium features purchased with your storage array. If you purchased premium features, see the printed activation card shipped with your storage array.



NOTE: The **MD Storage Manager** installer automatically installs the required drivers, firmware, and operating system patches/hotfixes to operate your storage array. These drivers and firmware are also available at support.dell.com. In addition, see the *Support Matrix* at support.dell.com/manuals for any additional settings and/or software required for your specific storage array.

Locating Your Service Tag

Your system is identified by a unique Express Service Code and Service Tag number. The Express Service Code and Service Tag are found on the front of the system and at the back of the system next to the RAID controller modules. This information is used by Dell to route support calls to the appropriate personnel.



NOM Information (Mexico Only)

The following information is provided on the device described in this document in compliance with the requirements of the official Mexican standards (NOM):

Importer:	Dell Inc. de México, S.A. de C.V. Paseo de la Reforma 2620 -11º Piso Col. Lomas Altas 11950 México, D.F.
Model number:	E03J and E04J
Supply voltage:	100–240 V CA
Frequency:	50/60 Hz
Current consumption:	8.6 A

Technical Specifications

Drives

PowerVault MD3600i	Up to twelve 3.5-inch SAS hot-swappable hard drives (3.0 Gbps and 6.0 Gbps)
PowerVault MD3620i	Up to twenty four 2.5-inch SAS hot-swappable hard drives (3.0 Gbps and 6.0 Gbps)

RAID Controller Modules

RAID controller modules	<ul style="list-style-type: none">• One or two hot-swappable modules with temperature sensors• 2 GB of cache per controller
-------------------------	--

Back-Panel Connectors (Per RAID Controller Module)

iSCSI connectors	Two 10 GB iSCSI IN connectors to connect hosts
SAS expansion connector	One SAS OUT port for expansion to an additional PowerVault MD1200 series enclosure. NOTE: SAS connectors are SFF-8088 compliant.
Serial connector	One 6-pin mini-DIN connector NOTE: For technical support use only.
Management Ethernet connector	One 100/1000 Base-T port Ethernet for out-of-band management of the enclosure NOTE: The default management port IP addresses for the primary and secondary RAID controller modules are 192.168.128.101 and 192.168.128.102, respectively. By default, the management ports are set to Dynamic Host Configuration Protocol (DHCP). If the controller is unable to get an IP address configuration from a DHCP server within a specified time out period (approximately 3 minutes), it defaults back to static IP addressing. For more information, see the <i>Deployment Guide</i> .

Expansion

PowerVault MD1200 series	Supports a maximum of 192 hard drives with any combination of PowerVault MD1200 or PowerVault MD1220 expansion enclosures. Support for 192 hard drives is a Premium Feature and requires activation. The maximum number of hard drives supported without using the Premium Feature is 120. Redundant path connectivity provides redundant data paths to each hard drive.
--------------------------	---

Backplane Board

Connectors	<ul style="list-style-type: none">• 12 or 24 SAS hard-drive connectors• Two power supply/cooling fan module connectors• Two sets of RAID controller module connectors• One control panel connector for front LEDs and enclosure mode switch
Sensors	Two temperature sensors

LED Indicators

Front panel	<ul style="list-style-type: none">• One two-color LED indicator for system status• Two single-color LED indicators for power and enclosure mode <p>NOTE: The enclosure mode LED is not applicable to the PowerVault MD3600i series storage array.</p>
Hard-drive carrier	<ul style="list-style-type: none">• One single-color activity LED• One two-color LED status indicator per drive
Power supply/cooling fan	Three LED status indicators for power supply status, power supply/fan fault, and AC status

LED Indicators (continued)

RAID controller module	Eight single-color LEDs: <ul style="list-style-type: none">• One battery fault• One cache active• One controller fault• One controller power• One system identification• One management Ethernet activity• Two iSCSI IN port activity Four two-color LEDs: <ul style="list-style-type: none">• Two iSCSI IN link speed• One SAS OUT link or fault• One management Ethernet link speed
------------------------	---

Switch

System identification button	Located on the front control panel. This button is used to locate a system within a rack.
Enclosure mode switch	Located on the front of the system. This switch is not applicable to the PowerVault MD3600i series storage array.
Password reset switch	Located on the back panel of the RAID controller module. This switch is used to reset the storage array password.

Power Supplies

AC power supply (per power supply)	
Wattage	600 W
Voltage	100–240 VAC (8.6 A–4.3 A)
Heat dissipation	100 W
Maximum inrush current	Under typical line conditions and over the entire system ambient operating range, the inrush current may reach a maximum of 55 A per power supply for 10 ms or less.

Available Hard-Drive Power (Per Slot)

PowerVault MD3600i	25 W
PowerVault MD3620i	12 W

RAID Controller Module Power (Per Slot)

Maximum power consumption	100 W
---------------------------	-------

Physical

PowerVault MD3600i

Height	8.68 cm (3.41 inches)
Width	44.63 cm (17.57 inches)
Depth	60.20 cm (23.70 inches)
Weight (maximum configuration)	29.30 kg (64.6 lb)
Weight (empty)	8.84 kg (19.5 lb)

PowerVault MD3620i

Height	8.68 cm (3.41 inches)
Width	44.63 cm (17.57 inches)
Depth	54.90 cm (21.61 inches)
Weight (maximum configuration)	24.2 kg (53.4 lb)
Weight (empty)	8.61 kg (19lb)

Environmental

NOTE: For additional information about environmental measurements for specific system configurations, see www.dell.com/environmental_datasheets.

Temperature

Operating	10 °C to 35 °C (50 °F to 95 °F) with a maximum temperature gradation of 10 °C per hour
-----------	--

NOTE: For altitudes above 2950 feet, the maximum operating temperature is derated 1°F/550 ft.

Environmental (continued)

Storage	-40° to 65°C (-40° to 149°F) with a maximum temperature gradation of 20°C per hour
Relative humidity	
Operating	20% to 80% (noncondensing) with a maximum humidity gradation of 10% per hour
Storage	5% to 95% (noncondensing)
Maximum vibration	
Operating	0.25 G at 3–200 Hz for 15 min
Storage	0.5 G at 3–200 Hz for 15 min
Maximum shock	
Operating	One shock pulse in the positive z axis (one pulse on each side of the system) of 31 G for 2.6 ms in the operational orientation
Storage	Six consecutively executed shock pulses in the positive and negative x, y, and z axes (one pulse on each side of the system) of 71 G for up to 2 ms
Altitude	
Operating	-16 to 3048 m (-50 to 10,000 ft) NOTE: For altitudes above 2950 feet, the maximum operating temperature is derated 1°F/550 ft.
Storage	-16 to 10,600 m (-50 to 35,000 ft)
Airborne Contaminant Level	
Class	G1 as defined by ISA-S71.04-1985

Dell PowerVault MD3600i
和 MD3620i
存储阵列
系统使用入门

管制型号系列 E03J 和 E04J



注、小心和警告



注：“注”表示可以帮助您更好地使用计算机的重要信息。



小心：“小心”表示如果不遵循说明，就有可能损坏硬件或导致数据丢失。



警告：“警告”表示可能会导致财产损失、人身伤害甚至死亡。

本出版物中的信息如有更改，恕不另行通知。

© 2011 Dell Inc. 版权所有，翻印必究。

未经 Dell Inc. 书面许可，严禁以任何形式复制这些材料。

本文中使用的商标：Dell™、DELL 徽标和 PowerVault™ 是 Dell Inc. 的商标。Microsoft® 和 Windows Server® 是 Microsoft Corporation 在美国和 / 或其他国家或地区的商标或注册商标。Red Hat® 和 Red Hat Enterprise Linux® 是 Red Hat, Inc. 在美国和其他国家或地区的注册商标。SUSE® 是 Novell, Inc. 在美国和其他国家或地区的注册商标。VMware® 是 VMware, Inc. 在美国和 / 或其他管辖区域的注册商标。

本出版物中提及的其它商标和商品名称是指拥有相应商标和商品名称的公司或其产品。Dell Inc. 对不属于自己的商标和商品名称不拥有任何所有权。

管制型号系列 E03J 和 E04J


2011 - 08 P/N 22P7F Rev. A02

开始之前

 **注：**在本说明文件中，Dell PowerVault MD3600i 系列存储阵列指代 Dell PowerVault MD3600i 和 Dell PowerVault MD3620i。Dell PowerVault MD1200 系列扩展柜指代 Dell PowerVault MD1200 和 Dell PowerVault MD1220。

在设置您的 Dell PowerVault MD3600i 存储阵列之前，您必须考虑某些最佳惯例以确保您的存储阵列以最高效率运作并提供完全冗余（如果需要）。

- PowerVault MD3600i 是 10GBase-T 产品，需要支持 10GBase-T 的基础架构，包括 6 类或更高的电缆、支持 10GBase-T 的配线板和交换机。
- 要使用现有的 1GBase-T 基础架构，可以通过互连 10GBase-T 网络的 10GBase-T 交换机，也可以手动将 iSCSI 端口配置为以 1GBase-T 速度运行。您也可以使用 Modular Disk Configuration Utility (MDCU) 来配置端口速度。有关 MDCU 的详情，请参阅第 35 页上的“安装 MD 存储软件”。

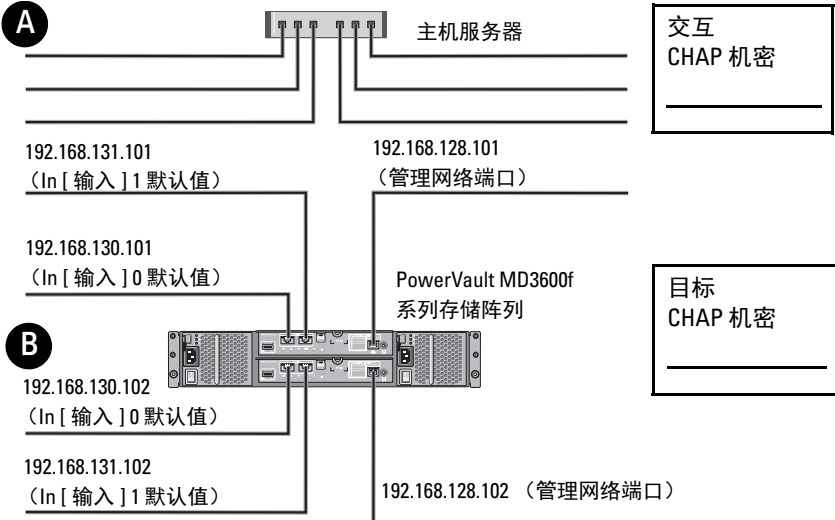
 **注：**不支持自动协商，必须手动配置运作速度。

- 在整个网络中，请始终使用 6 类（或更高）以太网电缆。
- 建议您为 iSCSI 数据传输使用专用的 IP SAN。管理通信可以独立存在于一个单独的管理网络上。
- 配置 iSCSI 前先完成 iSCSI 配置工作表。请参阅第 26 页上的“完成 iSCSI 工作表”。工作表将物理网络信息收集至单个信息源。
- 完成 iSCSI 工作表后，在设置解决方案前先进行配置。
- 总是配置冗余的 iSCSI 数据通道以备其中一条数据通道不可用时提供到达和来自主机服务器的其它可用通道。
- 如果主机上安装了多块网卡，建议为管理和 iSCSI 数据链路各使用不同的子网。
- 在主机服务器和存储阵列之间连接任何电缆之前，请物理地标签每个端口和连接器。
- 当对整个网络通电时，请始终遵循正确的上电和断电步骤。您还必须确保关键的网络组件位于单独的电源电路上。

 **注：**本文中的插图显示在 SAN 环境中只有一个 PowerVault MD3600i 存储阵列的布线情况。这些插图也仅显示 PowerVault MD36xxi 存储阵列的默认 IP 地址。要在 SAN 环境中对多个 PowerVault MD3600i 存储阵列进行布线，请参阅《部署指南》。

完成 iSCSI 工作表


IPv4 设置



如果您需要将更多空间用于多台主机服务器，请使用附加表。

注：质询握手身份验证协议 (CHAP) 是一种可选的 iSCSI 身份验证方法，存储阵列（目标）通过此方法对主机服务器上的 iSCSI 启动程序进行身份验证。有关详情，请参阅《部署指南》中的“了解 CHAP 验证”。

A 静态 IP 地址（主机服务器）	子网掩码	默认网关
iSCSI 端口 0	_____	_____
iSCSI 端口 1	_____	_____
管理端口	_____	_____
B 静态 IP 地址（存储阵列）	子网掩码	默认网关
iSCSI 控制器 0, In（输入） 0	_____	_____
iSCSI 控制器 0, In（输入） 1	_____	_____
管理端口 cntrl 0	_____	_____
iSCSI 控制器 1, In（输入） 0	_____	_____
iSCSI 控制器 1, In（输入） 1	_____	_____
管理端口 cntrl 1	_____	_____

 **注：**有关 IPv6 工作表的信息，请参阅《部署指南》。

您可能需要的其他说明文件和介质



警告：请参阅系统附带的安全与管制信息。保修信息可能包括在该说明文件中，也可能作为单独的说明文件提供。



注：所有 PowerVault MD3600i 系列说明文件均在 support.dell.com/manuals 提供。

- 机架解决方案附带机架说明文件，介绍了如何将系统安装到机架中。
- 《用户手册》提供了有关系统功能的信息，并说明了如何排除系统故障以及安装或更换系统组件。
- 《部署指南》提供了有关安装和配置软件与硬件的信息。
- 《CLI 指南》提供了有关使用命令行界面（CLI）配置和管理存储阵列的信息。
- 《SMI-S 提供程序安装指南》提供了有关安装 SMI-S 提供程序的信息。
- 系统随附的任何介质，其中提供了用于配置和管理系统的说明文件和工具，包括与系统预装的操作系统、系统管理软件、系统更新以及系统组件相关的说明文件和工具。



注：请经常访问 support.dell.com/manuals 以获得更新，并首先阅读这些更新，因为这些更新通常会取代其他说明文件中的信息。

准备主机服务器

支持的操作系统

- Microsoft Windows Server
- Red Hat Enterprise Linux
- SUSE Linux Enterprise Server
- VMware



注：关于所有支持的操作系统版本的最新信息，请参见 support.dell.com/manuals 上的《Support Matrix（支持信息表）》。

在 iSCSI 中使用更多网卡的情况

在安装更多网卡时，建议：

- 为 iSCSI 通信使用专用的冗余存储网络。如果专用网络不可行，使用虚拟局网（VLAN）将 iSCSI 通信与普通网络通信隔离。
- 使用专用于 iSCSI 通信的附加网卡。
- 必须成对添加网卡以实现冗余。



注：也支持单独一块网卡。

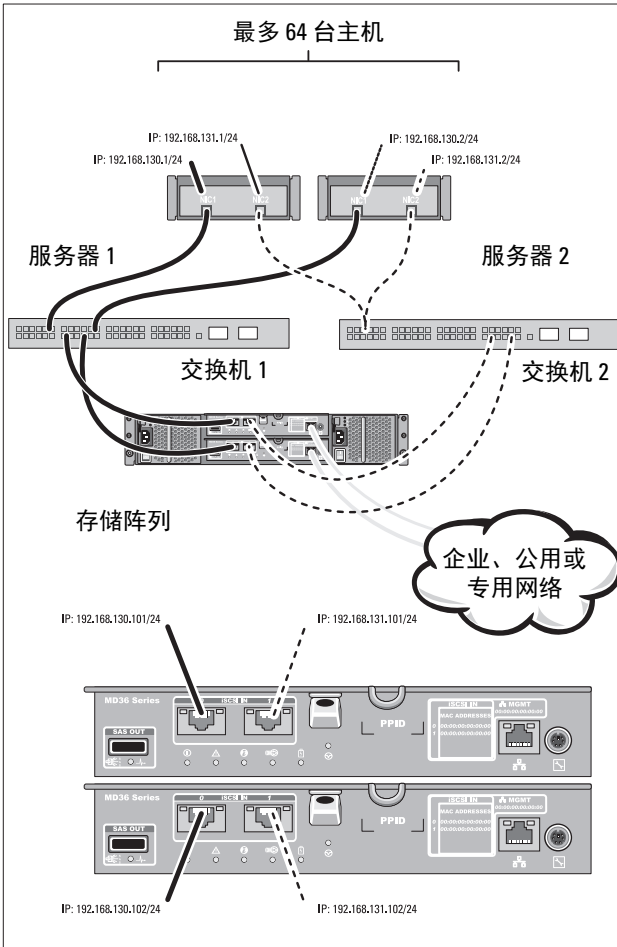
网卡配置

在 SAN 环境中，根据交换机的数目建议为 iSCSI 通信使用两个单独的子网。对于直接连接的存储环境，直接连接到 PowerVault MD36xxi 的每块网卡必须处于不同的子网中。在安装 MD 存储软件之前，必须配置所有主机 IP 地址。

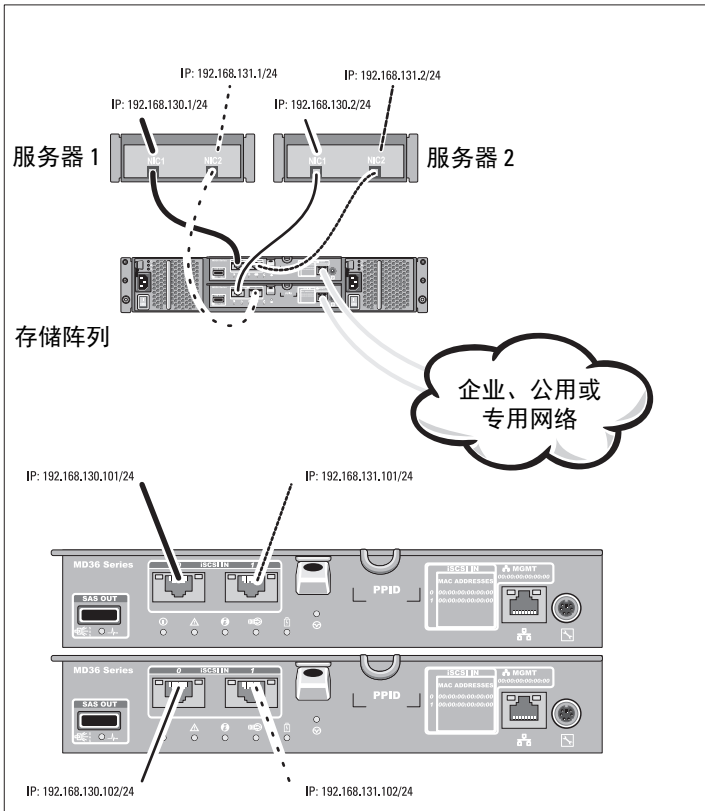
常见配置

为 SAN 方式连接的主机布线

按照下面插图中所示，连接服务器、交换机和存储阵列之间的所有电缆。有关为存储阵列布线的更多示例，请参阅 support.dell.com/manuals 上的《部署指南》。



为直接连接的主机布线



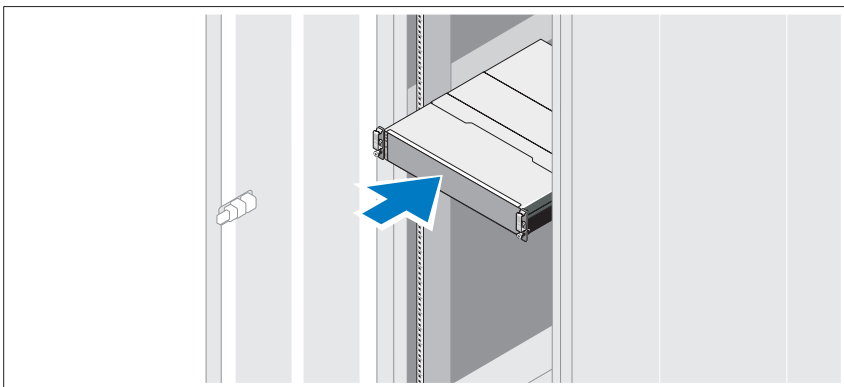
安装和配置

⚠ 警告： 执行下列步骤之前，请查看系统随附的安全说明。

打开系统包装

打开系统包装并使用系统随附的包装清单识别每个物件。

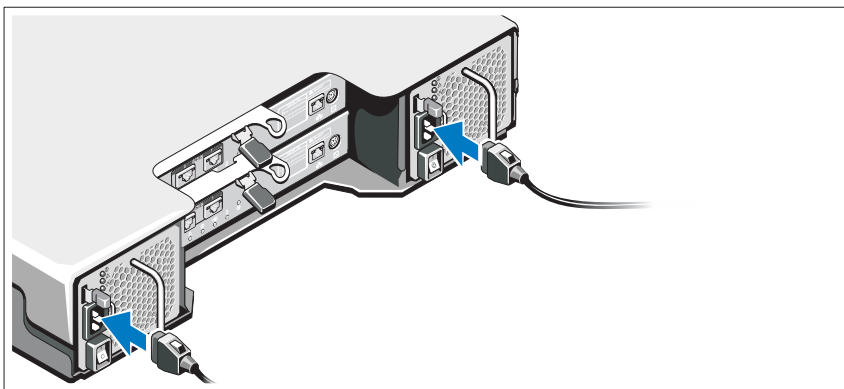
在机架中安装滑轨和系统



遵循系统随附的安全说明和机架安装说明，在机架中组装滑轨并安装系统。

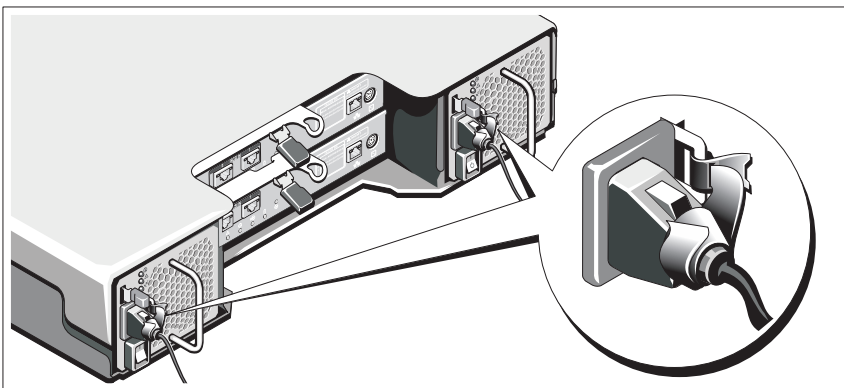
✍ 注： 为了平衡重量负载，建议将 PowerVault MD3600i 系列存储阵列安装在机架底部，而将 PowerVault MD1200 扩展柜安装在其上方。

连接电源电缆



在连接电源电缆之前，请确保电源开关处于 OFF（关闭）位置。将系统的电源电缆连接到系统上。

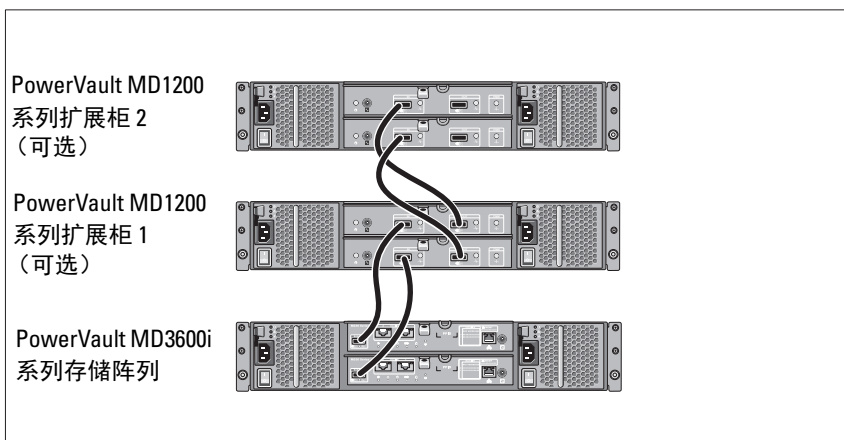
固定电源电缆



使用提供的束带将电缆牢牢地固定在支架上。

将电源电缆的另一端插入接地的电源插座或单独的电源，如不间断电源设备 (UPS) 或配电装置 (PDU)。每个电源都必须连接到单独的电源电路。

为扩展柜布线



启动机柜

以下列顺序打开各部件的电源

- 1 以太网交换机（若使用）
- 2 PowerVault MD1200 series expansion enclosures (if used)

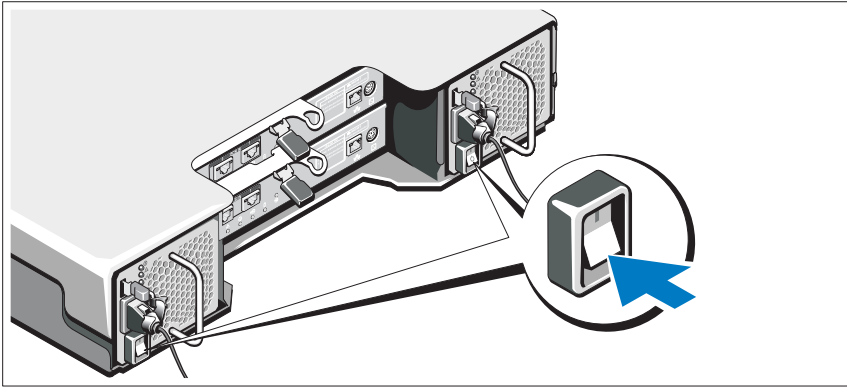


注：在开启存储阵列之前，请确保扩展柜正面的扩展柜状态 LED 指示灯显示为蓝色。

- 3 PowerVault MD3600i 系列存储阵列

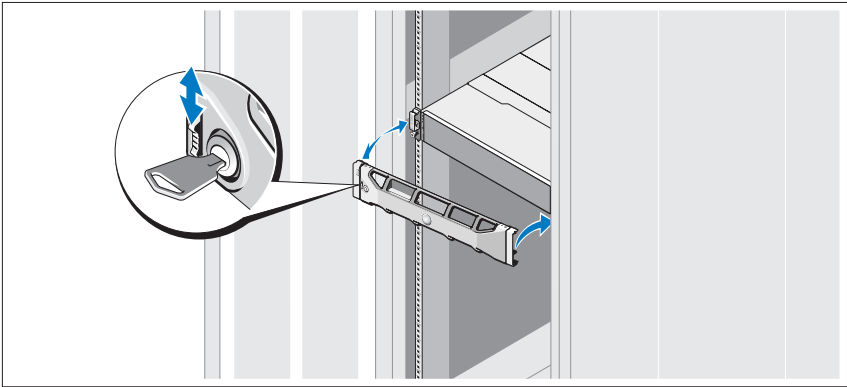


注：在开启主机服务器之前，请确保存储阵列正面的存储阵列状态 LED 指示灯显示为蓝色。



4 主机服务器

安装挡板



安装挡板（可选）。

安装 MD 存储软件



注：有关安装 MD 存储软件，设置硬盘柜，以及安装后的任务，请参阅《部署指南》。

MD Storage Manager 软件配置、管理并监测存储阵列。MD Configuration Utility (MDCU) 是一个可选实用程序，它提供了配置管理和 iSCSI 主机端口，以及为 iSCSI 模块磁盘存储阵列创建会话的一致途径。建议使用 MDCU 配置连接到存储阵列的每台主机服务器上的 iSCSI。要安装 MD 存储软件：

- 1 插入 MD 系列资源介质。

根据操作系统，安装程序可能会自动启动。如果安装程序未自动启动，请导航至安装介质（或下载的安装程序映像）的根目录并运行 `md_launcher.exe` 文件。对于基于 Linux 的系统，请导航至资源介质的根目录并运行 `autorun` 文件。



注：在默认情况下，Red Hat Enterprise Linux 操作系统会通过 `-noexec` 加载选项加载资源介质，该选项不允许您运行可执行文件。要更改此设置，请参阅安装介质根目录中的**自述文件**。

- 2 选择 **Install MD Storage Software**（安装 MD 存储软件）。
- 3 阅读并接受许可协议。
- 4 从 **Install Set**（安装设置）下拉式菜单中，选择以下安装选项之一：
 - **Full（完整，建议使用）**—安装 MD Storage Manager（客户端）软件、基于主机的存储代理程序、多路径驱动程序及硬件提供程序。
 - **Host Only（仅限主机）**—安装基于主机的存储代理程序和多路径驱动程序。
 - **Management（管理）**—安装管理软件和硬件提供程序。
 - **Custom（自定义）**—允许选择特定组件。
- 5 选择正在安装的 MD 存储阵列模块，用于此主机服务器的数据存储。
- 6 选择在主机服务器重新引导时是自动或手动启动事件监测服务。



注：此选项只适用于 Windows 客户端软件安装。

- 7 确认安装位置并单击 **Install**（安装）。
- 8 如果出现提示，请在安装完成后重新引导主机服务器。

9 重新引导完成时，MDCU 会自动启动。如果 MDCU 未自动启动，请手动启动。

- 在基于 Windows 的操作系统中，单击**开始** → **Dell** → **Modular Disk Configuration Utility**。
- 在基于 Linux 的操作系统中，双击桌面上的 **Modular Disk Configuration Utility** 图标。



注：如果 MDCU 未安装，请参阅 support.dell.com/manuals 上的《部署指南》。

10 启动 MD Storage Manager 并查找阵列。

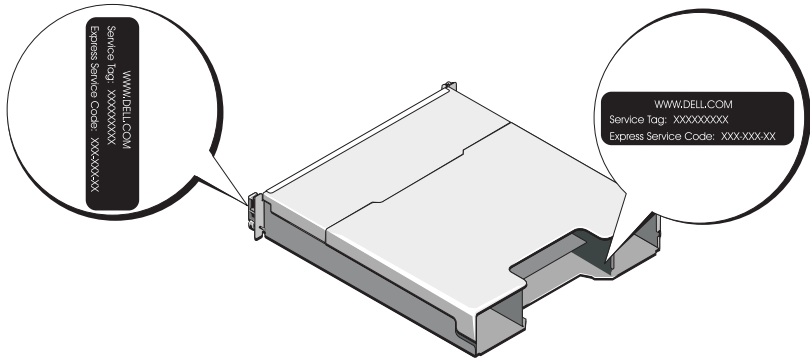
11 如果适用，激活随存储阵列购买的任何高级功能。如果购买了高级功能，请参阅存储阵列附带的印刷激活卡。



注：MD Storage Manager 安装程序会自动安装所需的驱动程序、固件和操作系统修补程序 / 热补丁，以操作存储阵列。这些驱动程序和固件也可从 support.dell.com 上获取。另外，请参阅 support.dell.com/manuals 上的《Support Matrix（支持信息表）》，了解特定存储阵列所需的任何其它设置和 / 或软件。

找到您的服务标签

您的系统由唯一的快速服务代码和服务标签号码进行标识。“快速服务码”和“服务标签号”标在系统的正面及系统背面的 RAID 控制器模块旁。Dell 使用此信息将支持电话转接到适当的人员。



NOM 信息（仅限于墨西哥）

本说明文件中提及的符合墨西哥官方标准 (NOM) 要求的设备上均提供以下信息：

进口商：	Dell Inc. de México, S.A. de C.V. Paseo de la Reforma 2620 -11º Piso Col. Lomas Altas 11950 México, D.F.
型号：	E03J 和 E04J
电源电压：	100 - 240 V CA
频率：	50/60 Hz
电流消耗：	8.6 A

技术规格

驱动器

PowerVault MD3600i	至多 12 个 3.5 英寸 SAS 可热交换的硬盘驱动器 (3.0 Gbps 和 6.0 Gbps)
PowerVault MD3620i	至多 24 个 2.5 英寸 SAS 可热交换的硬盘驱动器 (3.0 Gbps 和 6.0 Gbps)

RAID 控制器模块

RAID 控制器模块	<ul style="list-style-type: none">• 具备温度传感器的一两个热交换模块• 每个控制器有 2 GB 高速缓存
------------	---

背面板连接器（每个 RAID 控制器模块）

iSCSI 连接器	两个连接到主机的 10 GB iSCSI IN 连接器
SAS 扩展连接器	一个用于扩展到附加的 PowerVault MD12xx 硬盘柜的 SAS OUT 端口。 注： SAS 连接器与 SFF-8088 兼容。
串行连接器	一个 6 针小型 DIN 连接器 注： 仅供技术支持使用。
管理以太网连接器	一个 100/1000 Base-T 端口以太网用于机柜的带外管理 注： 主要和次要 RAID 控制器模块的默认管理端口 IP 地址分别是 192.168.128.101 和 192.168.128.102。默认情况下，管理端口将设置为动态主机配置协议 (DHCP)。如果控制器无法在指定的超时周期（约 3 分钟）内从 DHCP 服务器获得 IP 地址配置，它会默认返回静态 IP 寻址。有关详情，请参阅《部署指南》。

扩展

PowerVault MD1200 series

支持带有 PowerVault MD1200 或 PowerVault MD1220 扩展柜任意组合的最多 96 个硬盘驱动器。支持 192 个硬盘驱动器的是高级功能，并且需要激活。不使用高级功能时所能支持的最多硬盘驱动器数是 120。

冗余路径连接性为每台硬盘驱动器提供冗余数据。

背板

连接器

- 12 个或 24 个 SAS 硬盘驱动器连接器
- 两个电源设备 / 冷却风扇模块连接器
- 两套 RAID 控制器模块连接器
- 一个用于前面 LED 的控制面板连接器和硬盘柜模式开关

传感器

两个温度传感器

LED 指示灯

前面板

- 一个双色 LED 指示灯，用于显示系统状态
- 两个单色 LED 指示灯，用于电源和机柜模式

注：机柜模式 LED 不适用于 PowerVault MD3600i 系列存储阵列。

硬盘驱动器托盘

- 一个单色活动 LED
- 每个驱动器具有一个双色 LED 状态指示灯

电源设备 / 冷却风扇

三个 LED 状态指示灯，分别对应于电源设备状态、电源设备 / 风扇故障和交流电状态

LED 指示灯 (续)

RAID 控制器模块

八个单色 LED 指示灯：

- 一个指示电池故障
- 一个指示高速缓存活动
- 一个指示控制器故障
- 一个指示控制器电源
- 一个指示系统识别
- 一个指示管理以太网活动
- 两个指示 iSCSI IN 端口活动

四个双色 LED 指示灯：

- 两个指示 iSCSI IN 链路速度
- 一个指示 SAS OUT 链路或故障
- 一个指示管理以太网链接速度

开关

系统识别按钮，

位于前面控制面板。此按钮用于定位机架中的系统。

机柜模式开关，

位于系统的正面。此开关不适用于 PowerVault MD3600i 系列存储阵列。

密码重设开关，

位于 RAID 控制器后面板上。此开关用于重设存储阵列密码。

电源 设备

交流电源设备（每个电源设备）

功率

600 W

电压

100 - 240 VAC (8.6 A - 4.3 A)

散热

100 W

最大涌入电流

在典型的线路条件下和整个系统环境运行范围内，每个电源设备在 10 毫秒或更短时间内的涌入电流最大可达 55 A。

可用的硬盘驱动器电源（每个插槽）

PowerVault MD3600i	25 W
PowerVault MD3620i	12 W

RAID 控制器模块电源（每个插槽）

最大电源消耗	100 W
--------	-------

物理规格

PowerVault MD3600i

高度	8.68 厘米 (3.41 英寸)
宽度	44.63 厘米 (17.57 英寸)
厚度	60.20 厘米 (23.70 英寸)
重量（最大配置）	29.30 千克 (64.6 磅)
重量（空置）	8.84 千克 (19.5 磅)

PowerVault MD3620i

高度	8.68 厘米 (3.41 英寸)
宽度	44.63 厘米 (17.57 英寸)
厚度	54.90 厘米 (21.61 英寸)
重量（最大配置）	24.2 千克 (53.4 磅)
重量（空置）	8.61 千克 (19 磅)

环境参数

注：有关特定系统配置的环境测量值的附加信息，请参阅 www.dell.com/environmental_datasheets。

温度

运行时 10° C 至 35° C (50° F 至 95° F)，最大温度变化梯度为每小时 10° C

注：海拔高度在 2950 英尺以上时，最高操作温度按 1° F/550 英尺降低。

Storage（存储） - 40° 至 65° C (- 40° 至 149° F)，最大温度变化梯度为每小时 20° C

相对湿度

环境参数 (续)

运行时	20% 到 80% (非冷凝), 最大湿度变化梯度为每小时 10%
Storage (存储)	5% 至 95% (非冷凝)
最大振动	
运行时	在 3 - 200 Hz、0.25 G 时, 可持续 15 分钟
Storage (存储)	在 3 - 200 Hz、0.5 G 时, 可持续 15 分钟
最大撞击	
运行时	轴正方向上可承受一个 31 G 的撞击脉冲 (系统每一面承受一个脉冲), 在操作方向最多可持续 2.6 毫秒
Storage (存储)	x、y 和 z 轴正负方向上可承受连续六个 71 G 的撞击脉冲 (系统每一面承受一个脉冲), 最长可持续 2 毫秒
海拔高度	
运行时	- 16 至 3048 米 (- 50 至 10,000 英尺) 注: 海拔高度在 2950 英尺以上时, 最高操作温度按 1° F/550 英尺降低。
Storage (存储)	- 16 到 10,600 米 (- 50 到 35,000 英尺)
气载污染物级别	
级别	G1 (依据 ISA-S71.04-1985 定义的标准)

Storage Array Dell PowerVault
MD3600i dan MD3620i

**Memulai Pengaktifan
dengan Sistem Anda**

Model Resmi Seri E03J dan E04J



Catatan, Perhatian, dan Peringatan



CATATAN: CATATAN menunjukkan informasi penting yang membantu Anda untuk menggunakan komputer dengan lebih baik.



PERHATIAN: PERHATIAN menunjukkan kerusakan potensial pada perangkat keras atau kehilangan data jika Anda tidak mengikuti instruksi yang diberikan.



PERINGATAN: PERINGATAN menunjukkan kemungkinan kerusakan pada harta benda, cedera diri, atau kematian.

Informasi dalam publikasi ini dapat berubah tanpa pemberitahuan.

© 2011 Dell Inc. Hak cipta dilindungi undang-undang.

Dilarang keras memperbanyak materi ini dengan cara apa pun tanpa izin tertulis dari Dell Inc.

Merek dagang yang digunakan dalam panduan ini: Dell™, logo DELL, dan PowerVault™ adalah merek dagang dari Dell Inc. Microsoft® dan Windows Server® adalah merek dagang atau merek dagang terdaftar dari Microsoft Corporation di Amerika Serikat dan/atau negara-negara lain Red Hat® dan Red Hat Enterprise Linux® adalah merek dagang dari Red Hat, Inc. di Amerika Serikat dan negara-negara lain. SUSE® adalah merek dagang terdaftar dari Novell, Inc. di Amerika Serikat dan negara-negara lain. VMware® adalah merek dagang terdaftar dari VMware, Inc. di Amerika Serikat dan/atau wilayah hukum lain.

Merek dagang dan nama dagang lain mungkin digunakan dalam dokumen ini untuk merujuk ke pihak lain yang memiliki hak kekayaan intelektual atas merek dan nama atau produk mereka. Dell Inc. menyangkal kepentingan kepemilikan apa pun atas merek dagang dan nama dagang selain miliknya sendiri.

Model Resmi Seri E03J dan E04J

2011 - 08

P/N 22P7F

Rev. A02

Sebelum Anda Mulai



CATATAN: Dalam keseluruhan dokumen, storage array Dell seri PowerVault MD3600i mengacu pada Dell PowerVault MD3600i dan Dell PowerVault MD3620i. Expansion enclosure Dell seri PowerVault MD1200 mengacu pada Dell PowerVault MD1200 dan Dell PowerVault MD1220.

Sebelum memasang storage array Dell seri PowerVault MD3600i, Anda harus mempertimbangkan beberapa langkah terbaik agar storage array Anda beroperasi pada efisiensi maksimum dan menghasilkan redundansi penuh (jika diperlukan).

- Storage array seri PowerVault MD3600i merupakan produk 10GBase-T yang memerlukan infrastruktur 10GBase-T yang mencakup kabel Kategori 6 atau lebih tinggi, patch panel 10GBase-T yang berfungsi baik, serta switch.
- Infrastruktur 1GBase-T yang ada dapat digunakan baik melalui switch 10GBase-T switch, yang terinterkoneksi ke jaringan 10GBase-T, atau dengan mengonfigurasi secara manual port-port iSCSI agar berjalan pada kecepatan 1GBase-T. Anda juga dapat menggunakan Modular Disk Configuration Utility (MDCU) untuk mengonfigurasi kecepatan port. Untuk informasi lebih lanjut tentang MDCU, lihat "Menginstal Perangkat Lunak MD Storage" pada halaman 14.



CATATAN: Negosiasi otomatis tidak didukung dan kecepatan operasi harus dikonfigurasi secara manual.

- Di keseluruhan jaringan, gunakan selalu kabel Ethernet Kategori 6 (atau lebih tinggi).
- Anda disarankan untuk menggunakan IP SAN khusus untuk transmisi data iSCSI. Lalu lintas manajemen dapat dipisahkan pada jaringan manajemen terpisah.
- Selesaikan lembar kerja konfigurasi iSCSI sebelum mengonfigurasi iSCSI. Lihat "Menyelesaikan Lembar Kerja iSCSI" pada halaman 5. Lembar kerja ini mengumpulkan informasi jaringan fisik dalam sebuah sumber tunggal.
- Setelah menyelesaikan lembar kerja iSCSI, pindahkan konfigurasi sebelum mempersiapkan solusi.
- Selalu konfigurasi alur data iSCSI redundan untuk membuat alur lain ke dan dari host server, salah satu alur data menjadi tidak dapat diaktifkan.

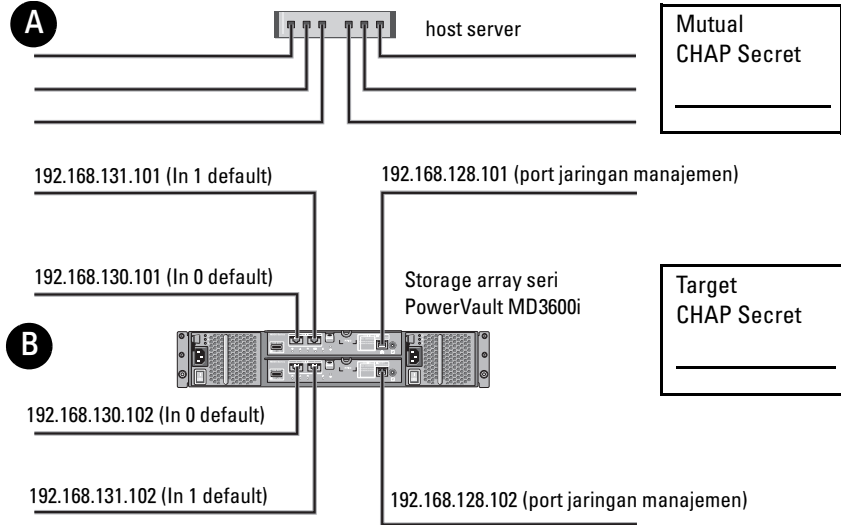
- Jika beberapa NIC diinstal pada sebuah host, Anda disarankan untuk menggunakan subnet yang berbeda untuk manajemen dan link data iSCSI.
- Sebelum menyambungkan kabel apapun antara host server dan storage array, berikan label pada setiap port dan konektor.
- Selalu lakukan prosedur power-up dan power-down saat mengedarkan daya di seluruh jaringan. Anda juga harus memastikan komponen jaringan penting memiliki sirkuit daya terpisah.



CATATAN: Ilustrasi di dalam dokumen ini hanya menampilkan perkabelan untuk satu storage array seri PowerVault MD3600i pada lingkungan SAN. Ilustrasi tersebut juga hanya menampilkan alamat IP asal untuk storage array PowerVault MD3600i. Untuk menghubungkan lebih dari satu storage array seri PowerVault MD3600i pada SAN environment, lihat *Panduan Penggunaan*.

Menyelesaikan Lembar Kerja iSCSI

Pengaturan IPv4




Jika Anda memerlukan ruang tambahan untuk lebih dari satu host server, gunakan lembar tambahan.


CATATAN: Challenge Handshake Authentication Protocol (CHAP) merupakan metode otentikasi iSCSI opsional, di mana storage array (target) mengotentikasi inisiator iSCSI pada server host. Untuk informasi lebih lanjut, lihat "Understanding CHAP Authentication (Memahami Otentikasi CHAP)" pada *Deployment Guide* (Panduan Penggunaan).


A	Alamat IP statis (host server)	Subnet mask	Gateway asal
iSCSI port 0	___ . ___ . ___ . ___	___ . ___ . ___ . ___	___ . ___ . ___ . ___
iSCSI port 1	___ . ___ . ___ . ___	___ . ___ . ___ . ___	___ . ___ . ___ . ___
Port manajemen	___ . ___ . ___ . ___	___ . ___ . ___ . ___	___ . ___ . ___ . ___

B	Alamat IP statis (storage array)	Subnet mask	Gateway asal
iSCSI controller 0, In 0	___ . ___ . ___ . ___	___ . ___ . ___ . ___	___ . ___ . ___ . ___
iSCSI controller 0, In 1	___ . ___ . ___ . ___	___ . ___ . ___ . ___	___ . ___ . ___ . ___
Management port cntnl 0	___ . ___ . ___ . ___	___ . ___ . ___ . ___	___ . ___ . ___ . ___
iSCSI controller 1, In 0	___ . ___ . ___ . ___	___ . ___ . ___ . ___	___ . ___ . ___ . ___
iSCSI controller 1, In 1	___ . ___ . ___ . ___	___ . ___ . ___ . ___	___ . ___ . ___ . ___
Management port cntnl 1	___ . ___ . ___ . ___	___ . ___ . ___ . ___	___ . ___ . ___ . ___


 **CATATAN:** Untuk informasi mengenai lembar kerja IPv6, lihat *Panduan Penggunaan*.

Dokumen dan Media Lain yang Mungkin Anda Butuhkan

 **PERINGATAN:** Lihat informasi keselamatan dan peraturan yang dikirimkan bersama dengan sistem Anda. Informasi garansi mungkin disertakan dalam dokumen ini atau sebagai dokumen yang terpisah.

 **CATATAN:** Semua dokumen storage array seri PowerVault MD3600i terdapat di situs support.dell.com/manuals.

- Dokumentasi rak yang tercakup dalam solusi rak Anda menjelaskan bagaimana cara memasang sistem ke dalam rak.
- *Manual untuk Pemilik* menyediakan informasi mengenai fitur sistem dan menjelaskan bagaimana cara penelusuran kesalahan sistem dan pemasangan atau penggantian komponen sistem.
- *Panduan Penggunaan* menyediakan informasi mengenai cara menginstal dan mengonfigurasi perangkat lunak dan perangkat keras.
- *Panduan CLI* menyediakan informasi mengenai cara menggunakan command line interface (CLI) untuk mengonfigurasi dan mengelola storage array Anda.
- Buku *SMI-S Provider Installation Guide* (Panduan Penyedia SMI-S) menyediakan informasi tentang pemasangan penyedia SMI-S.
- Media apa pun yang dikirimkan bersama sistem Anda yang menyediakan dokumen dan peralatan untuk mengonfigurasi dan mengelola sistem, meliputi kaitannya dengan sistem pengoperasian, perangkat lunak manajemen sistem, update sistem, dan komponen sistem yang Anda beli dengan sistem Anda

 **CATATAN:** Selalu periksa update di situs support.dell.com/manuals dan baca update terlebih dahulu karena biasanya update tersebut menggantikan informasi dalam dokumen.

Mempersiapkan Host Server

Sistem Operasi yang Didukung

- Microsoft Windows Server
- Red Hat Enterprise Linux
- SUSE Linux Enterprise Server
- VMware



CATATAN: Untuk informasi terbaru mengenai versi sistem pengoperasian yang didukung, lihat *Support Matrix* di situs support.dell.com/manuals.

NIC tambahan untuk iSCSI

Saat memasang NIC tambahan, Anda disarankan untuk:

- Menggunakan jaringan penyimpanan redundan khusus untuk lalu lintas iSCSI. Jika jaringan khusus tidak memungkinkan, pisahkan lalu lintas iSCSI dari lalu lintas jaringan umum menggunakan virtual local area networks (VLAN).
- Menggunakan NIC tambahan yang khusus untuk lalu lintas iSCSI.
- NIC harus ditambahkan secara berpasangan untuk menghasilkan redundansi.



CATATAN: NIC tunggal juga didukung.

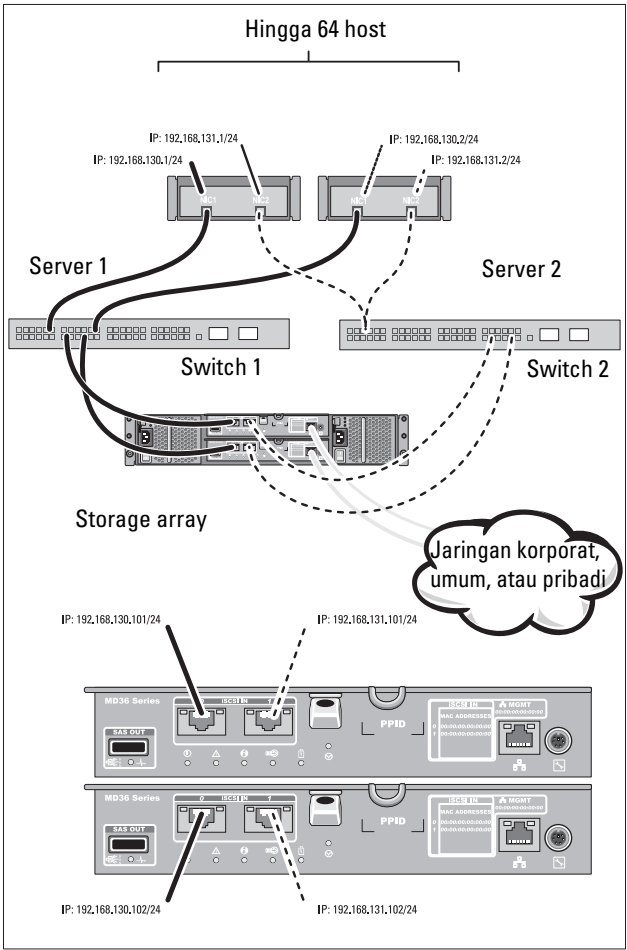
Konfigurasi NIC

Pada lingkungan SAN, tergantung pada jumlah switch, Anda disarankan untuk menggunakan dua subnet yang unik untuk lalu lintas iSCSI. Untuk lingkungan penyimpanan yang terhubung langsung, setiap NIC yang langsung tersambung ke PowerVault MD36xxi harus berada pada subnet terpisah. Semua alamat IP host harus dikonfigurasi sebelum memasang perangkat lunak MD.

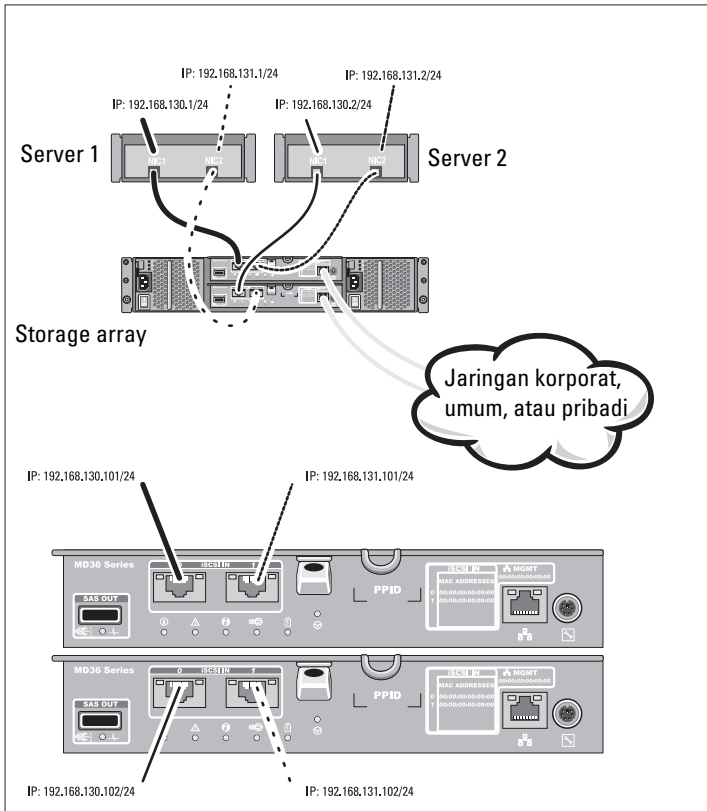
Konfigurasi Standar

Mengatur Kabel SAN-Attached Host Anda

Sambungkan semua kabel antara server, switch, dan storage array, seperti yang diperlihatkan dalam ilustrasi berikut ini. Untuk contoh perkabelan storage array, bacalah *Panduan Penggunaan* di situs support.dell.com/manuals.



Mengatur Kabel Direct-Attached Host Anda



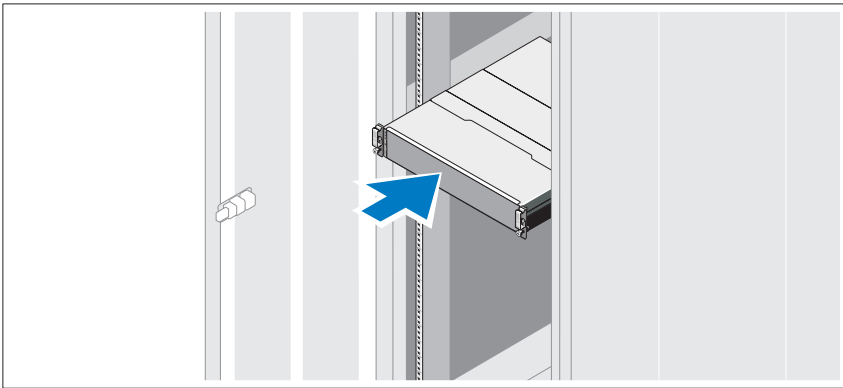
Instalasi dan Konfigurasi

⚠ PERINGATAN: Sebelum melakukan prosedur berikut, bacalah petunjuk keselamatan yang disertakan dengan sistem.

Membuka Kemasan Sistem

Keluarkan sistem Anda dan kenali setiap komponen dengan melihat daftar paket yang dikirimkan dengan sistem Anda.

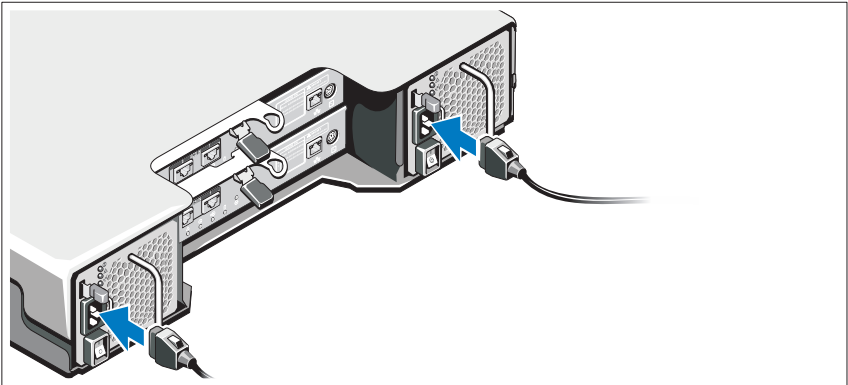
Memasang Rel dan Sistem dalam Rak



Rakit rel dan pasang sistem dalam rak sesuai dengan petunjuk keselamatan dan petunjuk pemasangan rak yang disertakan bersama sistem Anda.

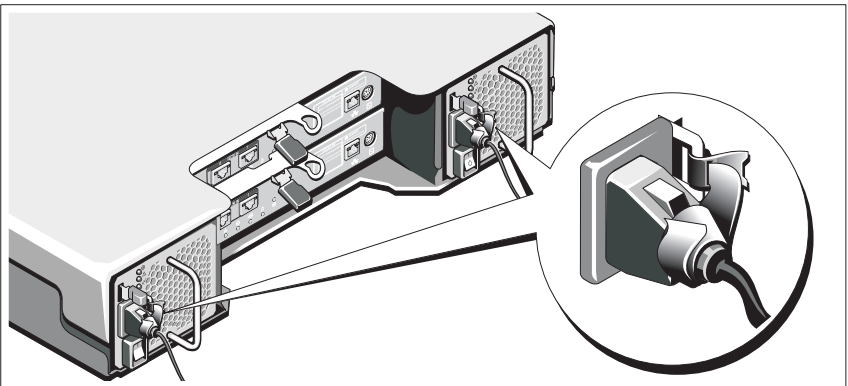
✍ CATATAN: Untuk menyeimbangkan pembebanan, Anda dianjurkan untuk memasang storage array seri PowerVault MD3600i di bagian bawah rak dan expansion enclosures seri PowerVault MD1200 di atasnya.

Menyambungkan Kabel Daya



Pastikan bahwa switch daya dalam posisi OFF sebelum menyambungkan kabel daya. Sambungkan kabel daya sistem ke sistem.

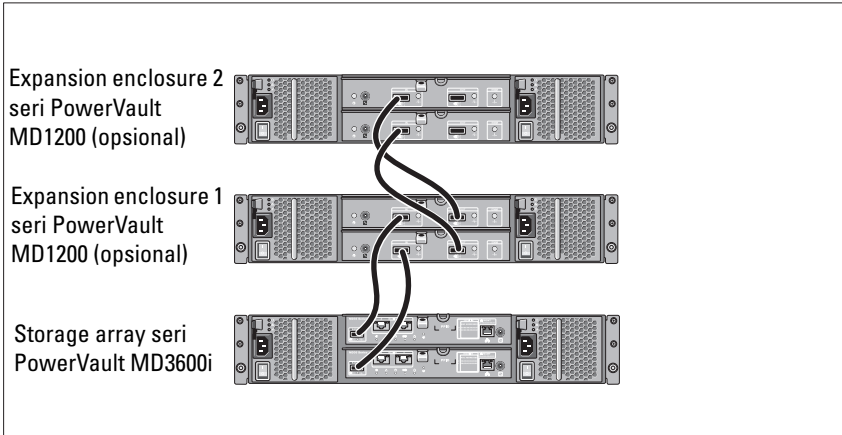
Menahan Kabel Daya



Ikatkan kabel dengan kencana pada braket dengan menggunakan strap yang disediakan.

Sambungkan ujung lain kabel daya ke outlet listrik dengan koneksi ground atau sumber daya terpisah seperti catu daya bebas gangguan (uninterrupted power supply/UPS) atau unit distribusi daya (power distribution unit/PDU). Setiap catu daya harus disambungkan ke sebuah sirkuit daya terpisah.

Mengatur Kabel Expansion Enclosure Anda



Mengaktifkan Enclosure

Aktifkan komponen dalam urutan berikut

- 1 Saklar Ethernet (jika digunakan)
- 2 Expansion enclosure seri PowerVault MD1200 (jika digunakan)

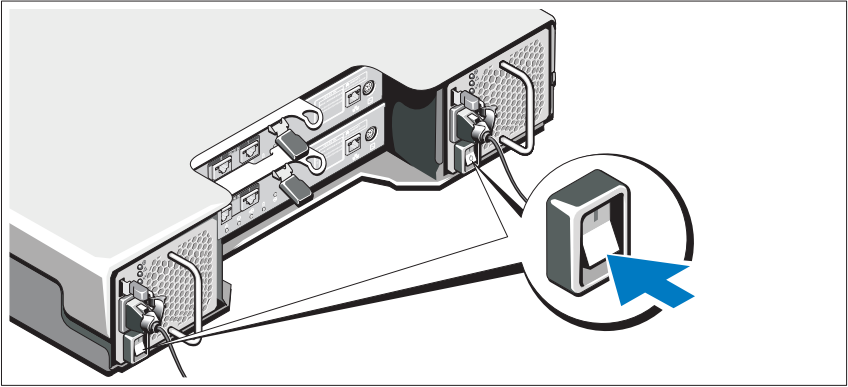


CATATAN: Sebelum mengaktifkan storage array, pastikan bahwa LED status expansion enclosure di bagian depan menyala biru.

- 3 Storage array seri PowerVault MD3600i

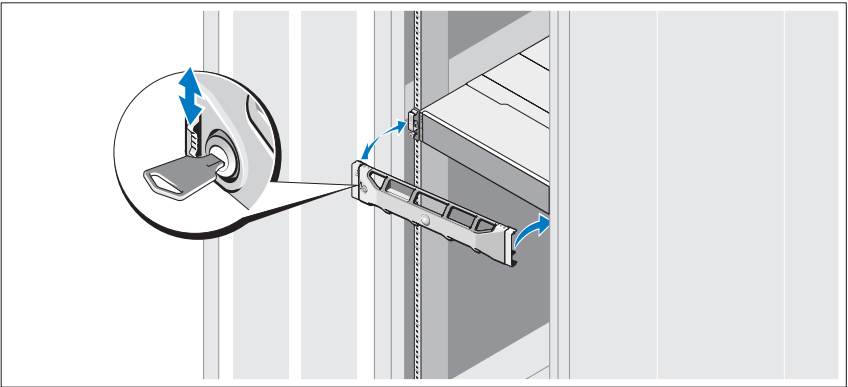


CATATAN: Sebelum mengaktifkan server(-server) host, pastikan bahwa LED status storage array di bagian depan storage array menyala biru.



4 Host server

Memasang Bezel



Pasang bezel (opsional).

Menginstal Perangkat Lunak MD Storage



CATATAN: Untuk instruksi lebih detail mengenai penginstalan perangkat lunak MD storage, memasang enclosure, dan langkah-langkah pasca-instalasi, lihat *Panduan Penggunaan*.

Perangkat lunak MD Storage Manager mengonfigurasi, mengelola, dan memonitor storage array. MD Configuration Utility (MDCU) merupakan utilitas opsional yang menyediakan pendekatan konsolidasi untuk mengonfigurasi port host iSCSI dan manajemen, dan membuat sesi untuk iSCSI modular disk storage array. Anda disarankan untuk menggunakan MDCU untuk mengonfigurasi iSCSI pada setiap server host yang tersambung ke storage array. Untuk menginstal perangkat lunak penyimpanan MD:

1 Masukkan media sumber seri MD.

Tergantung pada sistem pengoperasian Anda, installer dapat berjalan secara otomatis. Jika installer tidak berjalan secara otomatis, lakukan navigasi direktori akar dari media instalasi (atau gambar installer yang diunduh) dan jalankan file `md_launcher.exe`. Untuk sistem berbasis Linux, lakukan navigasi akar (root) media sumber dan jalankan file `autorun`.



CATATAN: Red Hat Enterprise Linux sejak awal sudah memasukkan opsi `noexec mount` pada media sumber yang tidak mengizinkan Anda menjalankan file `executable`. Untuk mengubah pengaturan ini, lihat file **Readme** pada direktori akar dari media instalasi.

2 Pilih **Install MD Storage Software** (Instal Perangkat Lunak Penyimpanan MD).

3 Bacalah dan terima perjanjian lisensi.

4 Pilih salah satu dari opsi instalasi berikut dari menu drop-down **Install Set** (Instal Set):

- **Full (Penuh) (direkomendasikan)**—Instal perangkat lunak MD Storage Manager (klien), storage agent berbasis host, driver multipath, dan penyedia perangkat keras.
- **Host Only (Hanya Host)**—Instal storage agent berbasis host dan driver multipath.
- **Management (Manajemen)**—Instal manajemen penyedia perangkat keras dan perangkat lunak.
- **Custom (Penyesuaian)**—Memungkinkan Anda untuk memilih komponen tertentu.

- 5 Pilih storage array MD yang Anda atur untuk dijadikan penyimpanan data untuk server host ini.
- 6 Pilih untuk memulai layanan monitor peristiwa secara otomatis ketika server host melakukan booting ulang atau secara manual



CATATAN: Opsi ini hanya berlaku pada instalasi perangkat lunak klien Windows.

- 7 Konfirmasikan lokasi instalasi dan klik **Install** (Instal).
- 8 Jika diperintahkan, lakukan booting ulang server host setelah instalasi selesai.
- 9 Ketika booting ulang selesai, MDCU dapat berjalan secara otomatis. Jika MDCU tidak berjalan secara otomatis, jalankan secara manual.
 - Pada sistem pengoperasian berbasis Windows, klik **Start** (Mulai) → **Dell** → **Modular Disk Configuration Utility** (Utilitas Konfigurasi Disk Modular).
 - Dalam sistem pengoperasian berbasis Linux, klik ganda pada ikon **Modular Disk Configuration Utility** di dekstop Anda.



CATATAN: Jika MDCU tidak terinstal, lihat *Panduan Penggunaan* di support.dell.com/manuals.

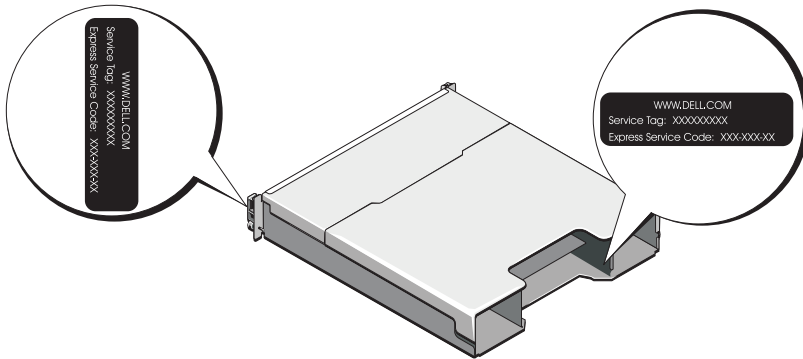
- 10 Jalankan MD Storage Manager dan temukan masing-masing array.
- 11 Jika ada, aktifkan semua fitur premium yang dibeli dengan storage array Anda. Jika Anda membeli fitur premium, lihat kartu aktivasi yang dicetak yang dikirim bersama storage array Anda.



CATATAN: Installer MD Storage Manager secara otomatis menginstal patch/hotfix driver, firmware, dan sistem pengoperasian yang diperlukan untuk mengoperasikan storage array Anda. Driver dan firmware ini juga tersedia di support.dell.com. Selain itu, lihat *Support Matrix* di situs support.dell.com/manuals untuk pengaturan tambahan apa pun dan/atau perangkat lunak yang diperlukan untuk storage array tertentu Anda.

Menemukan Tag Servis Anda

Sistem Anda diidentifikasi melalui Kode Servis Ekspres dan nomor Tag Servis yang unik. Kode Servis Ekspres dan Tag Servis berada di bagian depan sistem dan di bagian belakang sistem di samping modul kontroler RAID. Informasi ini digunakan oleh Dell untuk menghubungkan panggilan dukungan ke personel yang sesuai.



Informasi NOM (Hanya Meksiko)

Informasi berikut disediakan pada perangkat yang dijelaskan dalam dokumen ini sesuai dengan persyaratan mengenai standar resmi Meksiko (NOM):

Importir:	Dell Inc. de México, S.A. de C.V. Paseo de la Reforma 2620 -11º Piso Col. Lomas Altas 11950 México, D.F.
Nomor model:	E03J dan E04J
Tegangan suplai:	100–240 V CA
Frekuensi:	50/60 Hz
Konsumsi arus:	8,6 A

Spesifikasi Teknis

Drive

PowerVault MD3600i	Hingga dua belas hot-swappable hard drive SAS 3,5-inci (3,0 Gbps dan 6,0 Gbps)
PowerVault MD3620i	Hingga dua puluh empat hot-swappable hard drive SAS 2,5-inci (3,0 Gbps dan 6,0 Gbps)

Modul Kontroler RAID

Modul kontroler RAID	<ul style="list-style-type: none">• Satu atau dua hot-swappable module dengan sensor suhu• 2 GB cache per kontroler
----------------------	--

Konektor Panel Belakang (per Modul Kontroler RAID)

konektor iSCSI	Dua konektor iSCSI IN 10 GB untuk menyambungkan host
Konektor ekspansi SAS	Satu port SAS OUT untuk ekspansi ke enclosure seri PowerVault MD1200 tambahan. CATATAN: Konektor SAS kompatibel untuk SFF-8088.
Konektor serial	Satu konektor 6-pin mini-DIN CATATAN: Hanya untuk dukungan teknis.
Konektor Management Ethernet	Satu Ethernet port 100/1000 Base-T untuk manajemen out-of-band bagi enclosure CATATAN: Alamat IP port manajemen standar untuk modul kontroler RAID primer dan sekunder adalah 192.168.128.101 dan 192.168.128.102, berturut-turut. Secara default, port manajemen diatur ke Dynamic Host Configuration Protocol (DHCP). Jika kontroler tidak bisa mendapatkan konfigurasi alamat IP dari sever DHCP dalam periode waktu habis yang ditentukan (sekitar 3 menit), maka akan dikembalikan ke alamat IP statis. Untuk informasi lebih lanjut, lihat <i>Panduan Penggunaan</i> .

Ekspansi

Seri PowerVault MD1200	<p>Mendukung maksimum 192 hard drive dengan kombinasi manapun dari expansion enclosure PowerVault MD1200 atau PowerVault MD1220. Mendukung untuk 192 hard drive adalah Fitur Premium dan membutuhkan aktivasi. Jumlah maksimum hard drive yang didukung tanpa menggunakan Fitur Premium adalah 120.</p> <p>Konektivitas alur redundan menyediakan alur data redundan untuk setiap hard drive.</p>
------------------------	---

Papan Backplane

Konektor	<ul style="list-style-type: none">• 12 atau 24 konektor hard drive SAS• Dua konektor catu daya/modul kipas pendingin• Dua unit konektor modul kontroler RAID• Satu konektor panel kontrol untuk switch mode enclosure dan LED
Sensor	Dua sensor suhu

Indikator LED

Panel depan	<ul style="list-style-type: none">• Satu indikator LED dua warna untuk status sistem• Dua indikator LED satu warna untuk mode daya dan mode enclosure <p>CATATAN: LED mode enclosure tidak berlaku untuk storage array seri PowerVault MD3600i.</p>
Tempat hard drive	<ul style="list-style-type: none">• Satu LED aktivitas satu warna• Satu indikator status LED dua warna per drive
Catu daya/kipas pendingin	Tiga indikator status LED untuk status catu daya, gangguan catu daya/kipas, dan status AC

Indikator LED *(dilanjutkan)*

Modul kontroler RAID	Delapan LED berwarna tunggal: <ul style="list-style-type: none">• Satu gangguan baterai• Satu cache active• Satu gangguan kontroler• Satu daya kontroler• Satu identifikasi sistem• Satu aktivitas Ethernet manajemen• Dua aktivitas port iSCSI IN Dua LED warna ganda: <ul style="list-style-type: none">• Dua kecepatan link iSCSI IN• Satu link atau gangguan SAS OUT• Satu kecepatan link Ethernet manajemen
----------------------	--

Switch

Tombol identifikasi sistem	Terletak di panel kontrol depan. Tombol ini digunakan untuk menemukan sistem dalam rak.
Switch mode enclosure	Berada di bagian depan sistem. Switch ini tidak berlaku untuk storage array seri PowerVault MD3600i.
Switch reset password	Berada di panel belakang modul kontrol RAID. Switch ini digunakan untuk mereset password storage array.

Catu Daya

Catu daya AC (per catu daya)	
Watt Daya	600 W
Tegangan	100–240 VAC (8,6 A–4,3 A)
Pelepasan panas	100 W
Lonjakan arus maksimum	Pada kondisi jaringan listrik tipikal dan di seluruh kisaran pengoperasian sekitar sistem, lonjakan arus dapat mencapai maksimum 55 A per catu daya selama 10 ms atau kurang.

Tersedia Daya Hard Drive (Per Slot)

PowerVault MD3600i	25 W
PowerVault MD3620i	12 W

Daya Modul Kontroler RAID (Per Slot)

Konsumsi daya maksimum	100 W
------------------------	-------

Fisik

PowerVault MD3600i

Tinggi	8,68 cm (3,41 inci)
Lebar	44,63 cm (17,57 inci)
Panjang	60,20 cm (23,70 inci)
Berat (konfigurasi maksimum)	29,30 kg (64,6 pon)
Berat (kosong)	8,84 kg (19,5 pon)

PowerVault MD3620i

Tinggi	8,68 cm (3,41 inci)
Lebar	44,63 cm (17,57 inci)
Panjang	54,90 cm (21,61 inci)
Berat (konfigurasi maksimum)	24,2 kg (53,4 pon)
Berat (kosong)	8,61 kg (19 pon)

Lingkungan

CATATAN: Untuk informasi tambahan mengenai pengukuran lingkungan untuk konfigurasi sistem spesifik, lihat www.dell.com/environmental_datasheets.

Suhu

Pengoperasian	10°C sampai 35°C (50°F sampai 95°F) dengan gradasi suhu maksimum 10°C per jam CATATAN: Pada ketinggian di atas 2.950 kaki, suhu pengoperasian maksimum berkurang 1°F/550 kaki.
Penyimpanan	-40° hingga 65°C (-40° hingga 149°F) dengan gradasi suhu maksimal dari 20°C per jam

Lingkungan (*dilanjutkan*)

Kelembapan relatif

Pengoperasian 20% hingga 80% (nonkondensasi) dengan gradasi kelembapan maksimum dari 10% per jam

Penyimpanan 5% hingga 95% (nonkondensasi)

Getaran maksimum

Pengoperasian 0,25 G pada 3–200 Hz selama 15 menit

Penyimpanan 0,5 G pada 3–200 Hz selama 15 menit

Guncangan maksimum

Pengoperasian Satu pulsasi guncangan pada sumbu z positif (satu pulsasi pada setiap sisi sistem) dari 31 G untuk 2,6 mdet dalam arah pengoperasian

Penyimpanan Enam pulsasi guncangan yang dilakukan berurutan pada sumbu x, y, dan z positif dan negatif (satu pulsasi di setiap sisi sistem) dari 71 G selama hingga 2 mdet

Ketinggian

Pengoperasian –16 hingga 3.048 m (–50 hingga 10.000 kaki)

CATATAN: Untuk ketinggian di atas 2.950 kaki, suhu pengoperasian maksimum menurun 1°F/550 kaki.

Penyimpanan –16 hingga 10.600 m (–50 hingga 35.000 kaki)

Tingkat Pencemaran Udara

Kelas G1 sebagaimana didefinisikan oleh ISA-S71.04-1985

Dell PowerVault MD3600i

および MD3620i

ストレージアレイ

はじめに

規制モデルシリーズ E03J および E04J



メモ、注意、警告



メモ：コンピュータを使いやすくするための重要な情報を説明しています。



注意：手順に従わないと、ハードウェアの損傷やデータの損失につながる可能性があることを示しています。



警告：物的損害、けが、または死亡の原因となる可能性があることを示しています。

本書の内容は予告なく変更されることがあります。

© 2011 すべての著作権は Dell Inc. にあります。

Dell Inc. の書面による許可のない複製は、いかなる形態においても厳重に禁じられています。


本書で使用されている商標について：Dell™、DELL のロゴ、および PowerVault™ は Dell Inc. の商標です。Microsoft® および Windows Server® は、米国および/またはその他の国々における Microsoft Corporation の商標または登録商標です。Red Hat® および Red Hat Enterprise Linux® は米国およびその他の国々における Red Hat, Inc. の登録商標です。SUSE® は米国およびその他の国々における Novell, Inc. の登録商標です。VMware® は米国その他の法域における VMware, Inc. の登録商標です。

商標または製品の権利を主張する事業体を表すためにその他の商標および社名が使用されていることがあります。それらの商標や会社名は、一切 Dell Inc. に帰属するものではありません。

規制モデルシリーズ E03J および E04J


2011 - 08 P/N 22P7F Rev. A02

作業を開始する前に

 **メモ:** 本書において、Dell PowerVault MD3600i シリーズストレージアレイとは Dell PowerVault MD3600i および Dell PowerVault MD3620i の両方を指します。Dell PowerVault MD1200 シリーズ拡張エンクロージャとは Dell PowerVault MD1200 および Dell PowerVault MD1220 の両方を指します。

Dell PowerVault MD3600i ストレージアレイをセットアップする前に、特定のベストプラクティスを考慮して、RAID エンクロージャが最高の効率で動作し、完全な冗長性（必要な場合）が提供されることを確認することが必要です。

- **PowerVault MD3600i** シリーズストレージアレイは、**カテゴリ 6** またはそれ以上のケーブル、**10GBase-T** 対応パッチパネル、およびスイッチで構成された **10GBase-T** 対応インフラストラクチャが必要な **10GBase-T** 製品です。
- 既存の **1GBase-T** インフラストラクチャは、**10GBase-T** ネットワークと相互接続する **10GBase-T** スイッチを介して、または **iSCSI** ポートを **1GBase-T** スピードで動作するように手動で設定することにより、使用することができます。**Modular Disk** 設定ユーティリティ (**MDCU**) を使ってポート速度を設定することも可能です。**MDCU** の詳細に関しては、**78** ページの「**MD** ストレージソフトウェアのインストール」を参照してください。

 **メモ:** オートネゴシエーションはサポートされておらず、動作スピードは手動で設定する必要があります。

- ネットワーク全体を通して、常に**カテゴリ 6**（またはそれ以上）のイーサネットケーブルを使用します。
- **iSCSI** データ送信には、専用の **IP SAN** を使用することをお勧めします。管理トラフィックを別の管理ネットワークに分離することもできます。
- **iSCSI** を構成する前に、**iSCSI** 構成ワークシートを完了してください。**69** ページの「**iSCSI** ワークシートの完了」を参照してください。このワークシートは、物理ネットワーク情報を単一ソースに収集できるようになっています。
- **iSCSI** ワークシートを完了したら、ソリューションをセットアップする前に、構成を図にしてみます。
- データパスのひとつに障害が発生した場合、代替りのパスがホストサーバーへの行き来を提供できるように、常に冗長 **iSCSI** データパスを構成します。
- ホストに複数の **NIC** がインストールされている場合、管理と **iSCSI** データリンクには別々のサブセットを使用することをお勧めします。
- ホストサーバーとストレージアレイ間のケーブルを接続する前に、各ポートおよびコネクタにラベルを貼っておきます。

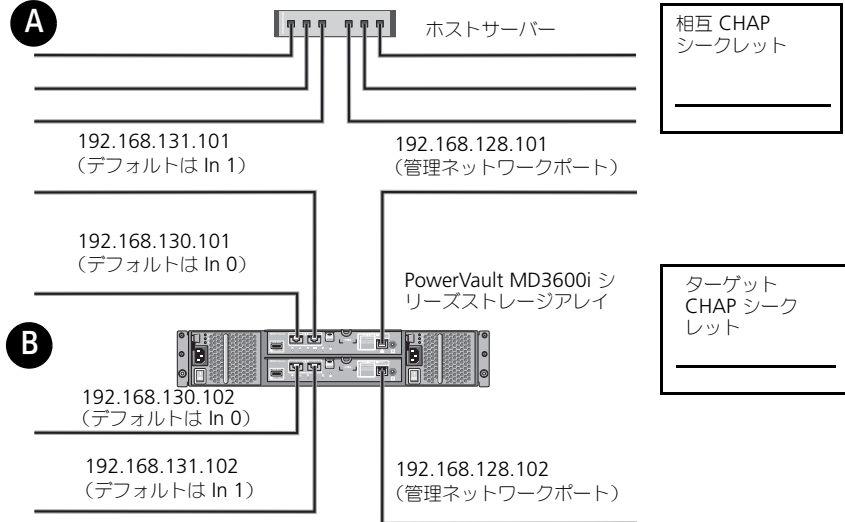
- ネットワーク全体で動力サイクルをする場合、常に正しいパワーアップとパワーダウンの手順に従います。また、重要なネットワークコンポーネントは別々の電源回路に置くようにします。



メモ：この文書の図では、SAN 環境での PowerVault MD3600i ストレージアレイ 1 つのみの配線を示しています。また、この図は PowerVault MD3600i ストレージアレイのデフォルト IP アドレスのみを示しています。SAN 環境で複数の PowerVault MD3600i ストレージアレイを配線する場合は、『導入ガイド』を参照してください。

iSCSI ワークシートの完了


IPv4 の設定




複数のホストサーバーを使用するためにスペースが足りない場合は、複数のシートを使用してください。


メモ： チャレンジハンドシェイク認証プロトコル (CHAP) は、ストレージアレイ (ターゲット) がホストサーバーの iSCSI イニシエータを認証するという、オプションの iSCSI 認証方法です。詳細に関しては、『導入ガイド』の「CHAP 認証について」を参照してください。

A 静的 IP アドレス (ホストサーバー)	サブネットマスク	デフォルトゲートウェイ
iSCSI ポート 0	_____	_____
iSCSI ポート 1	_____	_____
管理ポート	_____	_____
B 静的 IP アドレス (ストレージアレイ)	サブネットマスク	デフォルトゲートウェイ
iSCSI コントローラ 0, In 0	_____	_____
iSCSI コントローラ 0, In 1	_____	_____
管理ポート cntrl 0	_____	_____
iSCSI コントローラ 1, In 0	_____	_____
iSCSI コントローラ 1, In 1	_____	_____
管理ポート cntrl 1	_____	_____


 **メモ** : IPv6 ワークシートに関する情報は、『導入ガイド』を参照してください。

必要なその他のマニュアルおよびメディア

 **警告** : システムに付属のマニュアルで安全および認可に関する情報を参照してください。保証に関する情報は、このマニュアルに含まれている場合と、別の文書として付属されている場合があります。

 **メモ** : PowerVault MD3600i シリーズストレージレイのマニュアルは、すべて support.dell.com/manuals でご覧いただけます。

- ラックソリューションに付属のマニュアルでは、システムをラックに取り付ける方法について説明しています。
- 『オーナーズマニュアル』では、システムの機能、システムのトラブルシューティング方法、およびシステムコンポーネントの取り付けや交換の方法について説明しています。
- 『導入ガイド』はソフトウェアおよびハードウェアのインストールと設定の情報を提供します。
- 『CLI ガイド』はコマンドラインインタフェース (CLI) を使用したストレージレイの設定と管理に関する情報を提供します。
- 『SMI-S Provider Installation Guide』は、SMI-S プロバイダのインストールに関する情報を提供します。
- システムに付属のメディアには、オペレーティングシステム、システム管理ソフトウェア、システムアップデート、およびシステムと同時に購入したシステムコンポーネントに関するものを含め、システムの設定と管理用のマニュアルとツールが収録されています。

 **メモ** : アップデートには他の文書の内容を差し替える情報が含まれている場合がよくありますので、support.dell.com/manuals でアップデートがないかどうかを常に確認し、初めにお読みください。

ホストサーバーの準備

対応オペレーティングシステム

- Microsoft Windows Server
- Red Hat Enterprise Linux
- SUSE Linux Enterprise Server
- VMware



メモ: サポートされる、すべてのオペレーティングシステムバージョンの最新情報は、support.dell.com/manuals で『サポートマトリックス』を参照してください。

iSCSI 用追加 NIC

追加の NIC をインストールする場合、次をお勧めします。

- iSCSI トラフィック用に専用冗長ストレージネットワークを使用します。専用ネットワークが使用できない場合は、仮想ローカルエリアネットワーク (VLAN) を使用して、iSCSI トラフィックを一般のネットワークトラフィックと隔離します。
- iSCSI トラフィック専用の追加の NIC を使用します。
- NIC は、冗長性のためペアで追加する必要があります。



メモ: 単一の NIC もサポートされます。

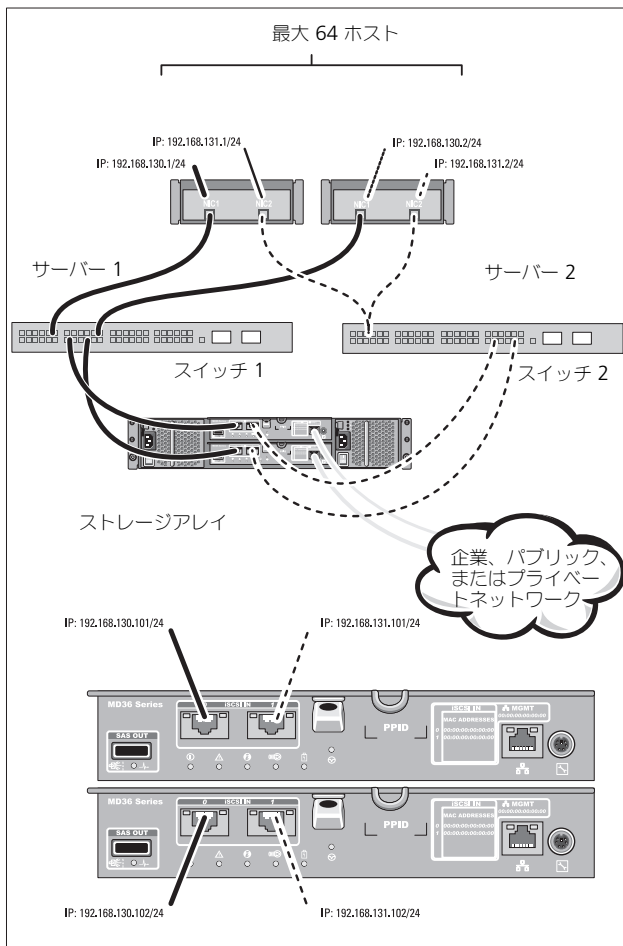
NIC 設定

SAN 環境では、スイッチの数に応じて iSCSI トラフィック用に 2 つの固有のサブネットを使用することをお勧めします。直接接続のストレージ環境では、PowerVault MD36xxi に直接接続されている各 NIC が別々のサブネットに設置される必要があります。すべてのホスト IP アドレスは、MD ストレージソフトウェアをインストールする前に設定する必要があります。

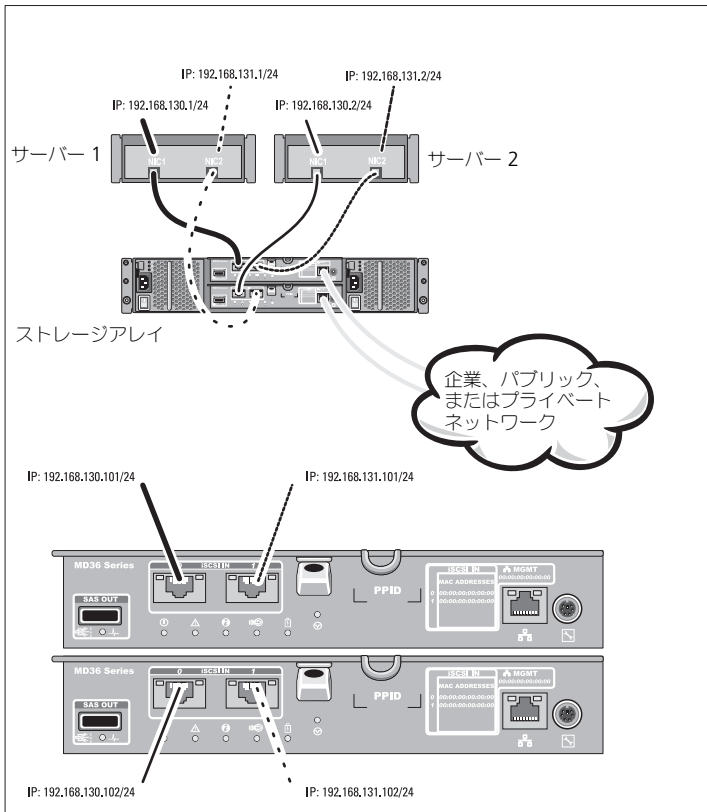
一般的な設定

SAN 接続ホストの配線

サーバー、スイッチ、およびストレージレイ間のすべてのケーブルは、次の図の
のにあるように接続してください。ストレージレイの配線の追加例は、
support.dell.com/manuals で『展開ガイド』を参照してください。



直接接続ホストの配線



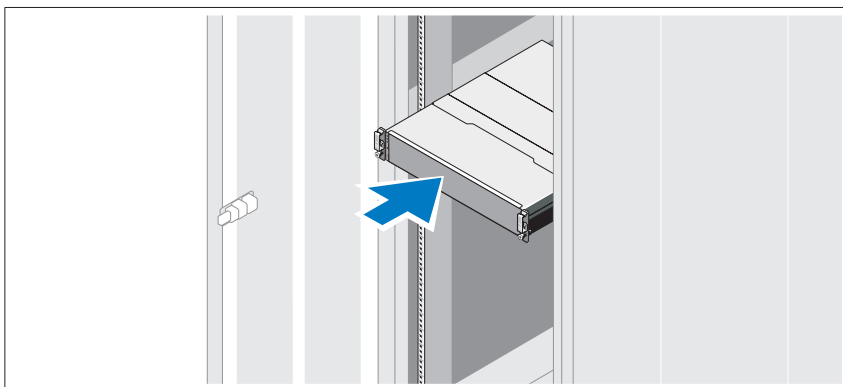
取り付けと設定

⚠ 警告： 次の手順を実行する前に、システムに付属しているマニュアルの「安全にお使いいただくために」をお読みください。

システムの開梱

システムを開梱して、システムに同梱の納品書リストと照らし合わせながら、各アイテムを確認します。

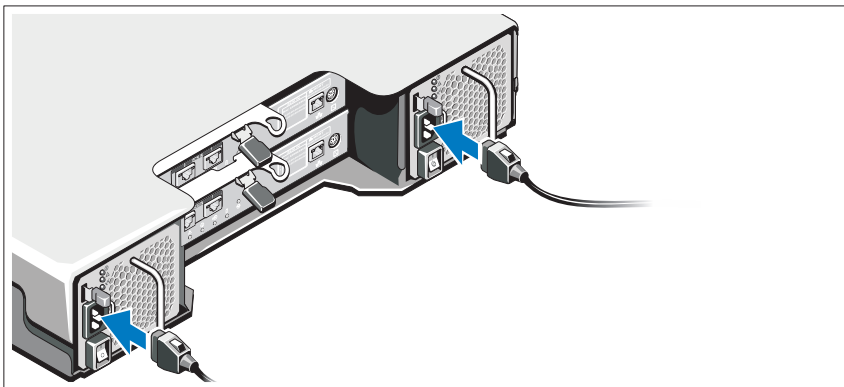
ラックへのレールとシステムの取り付け



レールの組み立てとラックへのシステムの取り付けの際は、システムに付属しているマニュアルの「安全にお使いいただくために」およびラックへの取り付け手順に従ってください。

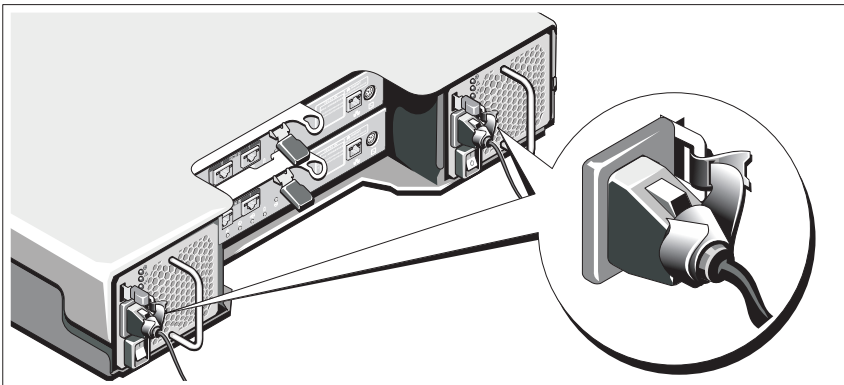
メモ： 重量負荷のバランスを取るため、PowerVault MD3600i シリーズストレージアレイをラックの最下位置に取り付け、その上に PowerVault MD1200 シリーズ拡張エンクロージャを取り付けることをお勧めします。

電源ケーブルの接続



電源ケーブルを接続する前に、電源スイッチがオフになっていることを確認してください。システムに電源コードを接続します。

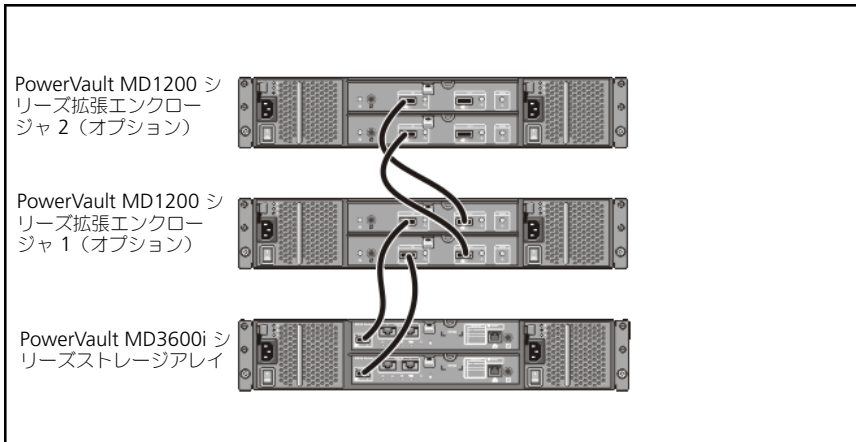
電源ケーブルの固定



同梱のストラップでケーブルをブラケットにしっかりと固定します。

電源ケーブルのもう一方の端をアースされたコンセントまたは無停電電源装置（UPS）や配電装置（PDU）などの別の電源に接続します。各電源装置は別々の電気回路に接続します。


拡張エンクロージャの配線




エンクロージャへの電源投入

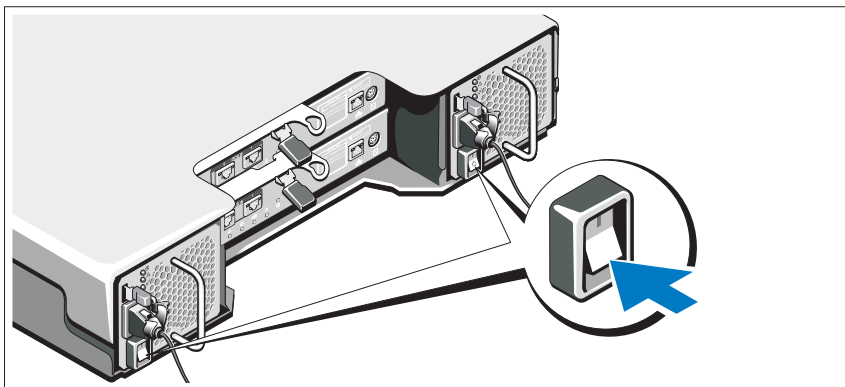
次の順序でコンポーネントに電源を入れます。

- 1 イーサネットスイッチ (使用する場合)
- 2 PowerVault MD1200 シリーズ拡張エンクロージャ (使用する場合)

 **メモ:** ストレージアレイに電源を投入する前に、エンクロージャ前面にあるエンクロージャステータス LED が青色であることを確認してください。

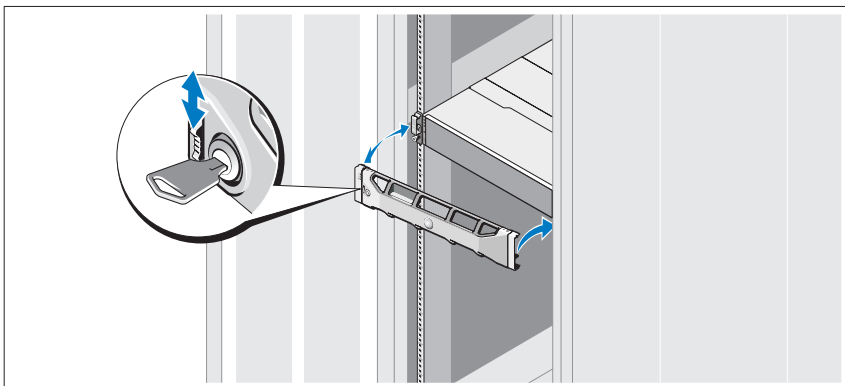
- 3 PowerVault MD3600i シリーズストレージアレイ

 **メモ:** ホストサーバーに電源を投入する前に、ストレージアレイ前面にあるストレージアレイステータス LED が青色であることを確認してください。



4 ホストサーバー

ベゼルの取り付け



ベゼルを取り付けます（オプション）。

MD ストレージソフトウェアのインストール



メモ : MD ストレージソフトウェアのインストール、エンクロージャのセットアップ、およびインストール後のタスクに関する詳細手順は『導入ガイド』を参照してください。

MD Storage Manager ソフトウェアは、ストレージアレイを設定、管理、および監視します。MD 設定ユーティリティ (MDCU) は管理ポート、iSCSI ホストポートの設定、および iSCSI モジュラーディスクストレージアレイ用セッションの作成に、集約された手段を提供するオプションのユーティリティです。ストレージアレイに接続された各ホストサーバーの iSCSI を設定するには、MDCU を使用することをお勧めします。MD ストレージソフトウェアをインストールするには、次の手順を実行します。

1 MD シリーズリソースメディアを挿入します。

お使いのオペレーティングシステムによっては、インストーラが自動的に起動する場合があります。インストーラが自動的に起動しない場合は、インストールメディア（またはダウンロードしたインストーライメージ）のルートディレクトリに移動し、**md_launcher.exe** ファイルを実行してください。Linux ベースのシステムでは、リソースメディアのルートに移動し、**autorun** ファイルを実行します。



メモ : Red Hat Enterprise Linux オペレーティングシステムは、デフォルトでリソースメディアを **-noexec mount** オプションでマウントします。このオプションでは実行可能ファイルを実行できません。この設定を変更するには、インストールメディアのルートディレクトリにある **readme** ファイルを参照してください。

2 MD Storage ソフトウェアのインストール を選択します。

3 ライセンス契約を読み、それに合意します。

4 インストール設定 ドロップダウンメニューから、次のインストールオプションのいずれかを選択します。

- **完全 (推奨)** — MD Storage Manager (クライアント) ソフトウェア、ホストベースのストレージエージェント、マルチパスドライバ、およびハードウェアプロバイダをインストールします。
- **ホストのみ** — ホストベースのストレージエージェントおよびマルチパスドライバをインストールします。
- **管理** — 管理ソフトウェアおよびハードウェアプロバイダをインストールします。
- **カスタム** — 特定のコンポーネントを選択することができます。

- 5 このホストサーバー用のデータストレージとして機能するようにセットアップしている **MD ストレージアレイ**のモデルを選択します。
- 6 イベント監視サービスを、ホストサーバーの再起動時に自動で開始するか、手動で開始するかを選択します。



メモ : このオプションは、Windows クライアントソフトウェアのインストールに限り適用可能です。

- 7 インストール先を確認して、**インストール** をクリックします。
- 8 インストールの完了後、プロンプト表示に従ってホストサーバーを再起動します。
- 9 再起動が完了したら、MDCU が自動で起動します。MDCU が自動で起動しない場合は、手動で起動してください。
 - Windows ベースのオペレーティングシステムでは、**スタート → Dell → Modular Disk 設定ユーティリティ** とクリックします。
 - Linux ベースのオペレーティングシステムでは、デスクトップの **Modular Disk 設定ユーティリティ** アイコンをダブルクリックします。



メモ : MDCU がインストールされない場合は、support.dell.com/manuals で『導入ガイド』を参照してください。

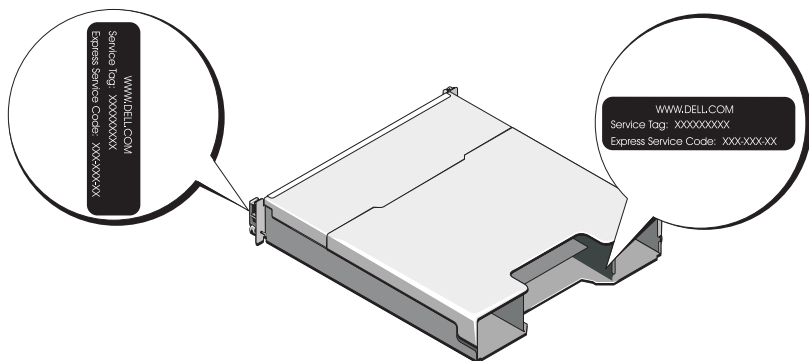
- 10 **MD Storage Manager** を起動してアレイを検出します。
- 11 該当する場合、お使いのストレージアレイと併せてご購入いただいたプレミアム機能をアクティブ化します。プレミアム機能をご購入いただいた場合は、お使いのストレージアレイに同梱の印刷アクティベーションカードを参照してください。



メモ : **MD Storage Manager** のインストーラは、ストレージアレイの動作に必要なドライバ、ファームウェア、およびオペレーティングシステムのパッチ / ホットフィックスを自動でインストールします。またこれらのドライバおよびファームウェアは、support.dell.com から入手可能です。さらに、特定のストレージアレイに必要な追加設定および / またはソフトウェアについては、support.dell.com/manuals で『サポートマトリクス』を参照してください。

サービスタグの位置

お使いのシステムは固有のエキスプレスサービスコードとサービスタグ番号で識別されます。エキスプレスサービスコードおよびサービスタグは、システムの前面およびシステムの背面の RAID コントローラモジュール横にあります。この情報は、デルが受けたサポート宛での電話を、適切な担当者に転送するために使用されます。



NOM 情報（メキシコのみ）

次の情報は、メキシコの公式規格（NOM）の要件に従い、本書で取り上げている装置に関して提供されています。

輸入者：	Dell Inc. de México, S.A. de C.V. Paseo de la Reforma 2620 -11º Piso Col. Lomas Altas 11950 México, D.F.
モデル番号：	E03J および E04J
供給電圧：	100 ~ 240 V CA
周波数：	50/60 Hz
消費電流：	8.6 A

仕様

ドライブ

PowerVault MD3600i	3.5 インチ、ホットスワップ対応 SAS ハードディスクドライブ (3.0 Gbps および 6.0 Gbps) 最高 12 台
PowerVault MD3620i	2.5 インチ、ホットスワップ対応 SAS ハードディスクドライブ (3.0 Gbps および 6.0 Gbps) 最高 24 台

RAID コントローラモジュール

RAID コントローラモジュール	<ul style="list-style-type: none">• 温度センサー付きホットスワップ対応モジュール、1 個または 2 個• コントローラ毎に 2 GB キャッシュ
------------------	---

背面パネルコネクタ (RAID コントローラモジュール毎)

iSCSI コネクタ	ホスト接続用 10 GB iSCSI IN コネクタ 2 個
SAS 拡張コネクタ	追加 PowerVault MD1200 シリーズ エンクロージャ拡張用 SAS OUT ポート 1 個 メモ: SAS コネクタは SFF-8088 に準拠しています。
シリアルコネクタ	6 ピン ミニ DIN コネクタ 1 個 メモ: テクニカルサポート専用です。
管理イーサネットコネクタ	エンクロージャの帯域外管理用 100/1000 Base-T ポートイーサネット 1 個 メモ: プライマリおよびセカンダリ RAID コントローラモジュール用のデフォルト管理ポート IP アドレスはそれぞれ、192.168.128.101 および 192.168.128.102 です。管理ポートはデフォルトで DHCP (ダイナミックホスト設定プロトコル) に設定されています。特定のタイムアウト (約 3 分間) 内にコントローラが DHCP サーバーから IP アドレス設定を取得できない場合、デフォルトの静的 IP アドレス指定に戻ります。詳細については、『導入ガイド』を参照してください。

拡張

PowerVault MD1200 シリーズ

PowerVault MD1200 または PowerVault MD1220 拡張エンクロージャのどの組み合わせでも最大 192 台のハードディスクドライブをサポートします。192 台のハードディスクドライブのサポートはプレミアム機能で、機能のアクティブ化が必要です。プレミアム機能を使用せずにサポートできるハードディスクドライブの最大数は 120 台です。

冗長バス接続性は、各ハードディスクドライブに冗長データバスを提供します。

バックプレーンボード

コネクタ

- 12 または 24 SAS ハードディスクドライブコネクタ
- 電源装置 / 冷却ファンモジュールのコネクタ 2 個
- RAID コントローラモジュールコネクタ 2 セット
- 前面 LED とエンクロージャモードスイッチ用のコントロールパネルコネクタ 1 個

センサー

温度センサー 2 個

LED インジケータ

フロントパネル

- システムスの状態を示す 2 色の LED インジケータ 1 個
- 電源とエンクロージャモード用の単色 LED インジケータ 2 個

メモ: エンクロージャモード LED は PowerVault MD3600i シリーズストレージレイには適用されません。

ハードディスクドライブキャリア

- 単色のアクティビティ LED 1 個
- 各ドライブにつき 2 色の LED ステータスインジケータ 1 個

電源装置 / 冷却ファンの障害

電源装置のステータス、電源装置 / ファン障害、および AC のステータスを示す LED ステータスインジケータ 3 個

LED インジケータ (続き)

RAID コントローラモジュール

単色 LED 8 個

- バッテリ障害 1 個
- キャッシュアクティブ 1 個
- コントローラ障害 1 個
- コントローラ電源 1 個
- システム識別 1 個
- 管理イーサネットアクティビティ 1 個
- iSCSI IN ポートアクティビティ 2 個

2 色 LED 4 個

- iSCSI IN リンクスピード 2 個
- SAS OUT リンクまたは障害 1 個
- 管理イーサネットリンクスピード 1 個

スイッチ

システム識別ボタン

前面コントロールパネル上にあります。このボタンは、ラック内でのシステムの位置確認に使用されます。

エンクローチャモードスイッチ

システムの前面にあります。このスイッチは PowerVault MD3600i シリーズストレージレイには適用されません。

パスワードリセットスイッチ

RAID コントローラモジュールの背面パネルにあります。このスイッチはストレージアレイパスワードのリセットに使用します。

電源 装置

AC 電源装置 (各電源装置につき)

ワット数

600 W

電圧

100 ~ 240 VAC (8.6 A ~ 4.3 A)

熱消費

100 W

最大突入電流

通常のラインコンディションのもと、システムの動作環境全範囲で、電源装置 1 台につき 10 ミリ秒以下で突入電流が最高 55 A に達する場合があります。

ハードディスクドライブで利用可能な電力（スロット 1 個あたり）

PowerVault MD3600i	25 W
PowerVault MD3620i	12 W

RAID コントローラモジュール電力（スロット 1 個あたり）

最高電力消費量	100 W
---------	-------

サイズと重量

PowerVault MD3600i

縦幅	8.68 cm
横幅	44.63 cm
奥行き	60.20 cm
重量（最大構成）	29.30 kg
重量（空の状態）	8.84 kg

PowerVault MD3620i

縦幅	8.68 cm
横幅	44.63 cm
奥行き	54.90 cm
重量（最大構成）	24.2 kg
重量（空の状態）	8.61 kg

環境

メモ： 特定のシステム構成でのその他の環境条件の詳細については、www.dell.com/environmental_datasheets を参照してください。

温度

動作時	1 時間あたり最大 10° C の温度変化で 10 ~ 35° C メモ： 高度が 2950 フィートを超えると、動作時の許容最大温度は、550 フィートごとに 1° F ずつ低下します。
保管時	1 時間あたり最大 20° C の温度変化で -40 ~ 65° C

相対湿度

動作時	1 時間あたり最大 10 パーセントの湿度変化で 20 ~ 80%（結露しないこと）
-----	---

環境 (続き)

保管時	5 ~ 95 パーセント (結露しないこと)
最大振動	
動作時	15 分間にわたり 3-200 Hz で 0.25 G
保管時	15 分間にわたり 3-200 Hz で 0.5 G
最大衝撃	
動作時	z 軸の正方向に 2.6 ミリ秒で 31 G の 1 衝撃パルス (システムの各面に対して 1 パルス)
保管時	x、y、z 軸の正および負方向に 6 連続衝撃パルス (システムの各面に対して 1 パルス)、2 ミリ秒以下で 71 G
高度	
動作時	-16 ~ 3,048 m メモ: 高度が 2950 フィートを超えると、動作時の許容最大温度は、550 フィートごとに 1° F ずつ低下します。
保管時	-16 ~ 10,600 m
空気汚染物質レベル	
クラス	G1 (ISA-571.04-1985 の定義による)

Dell PowerVault MD3600i 및 MD3620i 스토리지 배열 시스템 시작 안내서

정규 모델 시리즈 E03J 및 E04J



주, 주의 및 경고



주: "주"는 컴퓨터를 보다 효율적으로 사용하는 데 도움을 주는 중요 정보를 알려줍니다.



주의: "주의"는 지침을 준수하지 않을 경우의 하드웨어 손상이나 데이터 손실 위험을 설명합니다.



경고: "경고"는 재산상의 피해나 심각한 부상 또는 사망을 유발할 수 있는 위험이 있음을 알려줍니다.

이 발행물에 수록된 정보는 사전 통보 없이 변경될 수 있습니다.

© 2011 Dell Inc. 저작권 본사 소유.

Dell Inc.의 서면 승인 없이 어떠한 방식으로든 본 자료를 무단 복제하는 행위는 엄격히 금지됩니다.

본 텍스트에 사용된 상표: Dell™, DELL 로고, PowerVault™는 Dell Inc.의 상표입니다. Microsoft® 및 Windows Server®는 미국 및/또는 기타 국가에서 Microsoft Corporation의 상표 또는 등록 상표입니다. Red Hat® 및 Red Hat Enterprise Linux®는 미국 및 기타 국가에서 Red Hat, Inc.의 등록 상표입니다. SUSE®는 미국 및 기타 국가에서 Novell, Inc.의 등록 상표입니다. VMware®는 미국 및/또는 기타 국가에서 VMware, Inc.의 등록 상표입니다.

본 발행물에서 특정 회사의 상표 및 회사 이름 또는 제품을 지칭하기 위해 기타 상표 및 상호를 사용할 수도 있습니다. Dell Inc.는 자사가 소유하고 있는 것 이외에 기타 모든 상표 및 상호에 대한 어떠한 소유권도 없습니다.

정규 모델 시리즈 E03J 및 E04J

2011 - 08 P/N 22P7F Rev. A02

시작하기 전에



주 : 본 설명서의 Dell PowerVault MD3600i 시리즈 스토리지 배열은 Dell PowerVault MD3600i 및 Dell PowerVault MD3620i 를 의미합니다. Dell PowerVault MD1200 시리즈 확장 인클로저는 Dell PowerVault MD1200 및 Dell PowerVault MD1220 을 나타냅니다.

Dell PowerVault MD3600i 시리즈 스토리지 배열을 설치하기에 앞서 특정 모범사례를 참조하여 스토리지 배열이 최대 효율 상태에서 작동하고 (필요한 경우) 완전 중복성을 제공할 수 있도록 해야 합니다.

- PowerVault MD3600i 시리즈 스토리지 배열은 Category 6 이상의 케이블, 10GBase-T 사용가능 패치 패널 및 스위치로 구성된 10GBase-T 사용가능 인프라를 필요로 하는 10GBase-T 제품입니다.
- 기존 1GBase-T 인프라는 10GBase-T 네트워크에 상호 연결하는 10GBase-T 스위치를 통해 사용하거나 iSCSI 포트를 1GBase-T 속도로 실행시키기 위해 수동으로 구성하여 사용할 수도 있습니다. 사용자는 모듈러 디스크 구성 유틸리티 (MDCU) 를 사용하여 포트 속도를 구성할 수도 있습니다. MDCU 에 대한 자세한 내용은 100 페이지의 "MD 스토리지 소프트웨어 설치" 를 참조하십시오.



주 : 자동 절충 기능은 지원되지 않으며 작동 속도는 수동으로 구성해야 합니다.

- 네트워크에는 반드시 Category 6 (이상) 이더넷 케이블을 사용하십시오.
- iSCSI 데이터 전송용 전용 IP SAN 을 사용하도록 권장됩니다. 관리 트래픽은 개별 관리 네트워크에서 분리가 가능합니다.
- iSCSI 를 구성하기 전에 iSCSI 구성 워크시트를 완료하십시오. 91 페이지의 "iSCSI 워크시트 완료" 를 참조하십시오. 이 워크시트는 단일 소스에 실제 네트워크 정보를 수집합니다.
- iSCSI 워크시트를 완료한 후, 솔루션을 설치하기 전에 구성을 그리십시오.
- 호스트 서버에 대한 대안적인 경로를 제공하려면 반드시 중복 iSCSI 데이터 경로를 구성하십시오. 데이터 경로 중 하나는 비활성 상태여야 합니다.
- 다수의 NICs 가 호스트에 설치되어 있는 경우, 관리 및 iSCSI 데이터 링크에 대해 다른 서브넷을 사용할 것을 권장합니다.

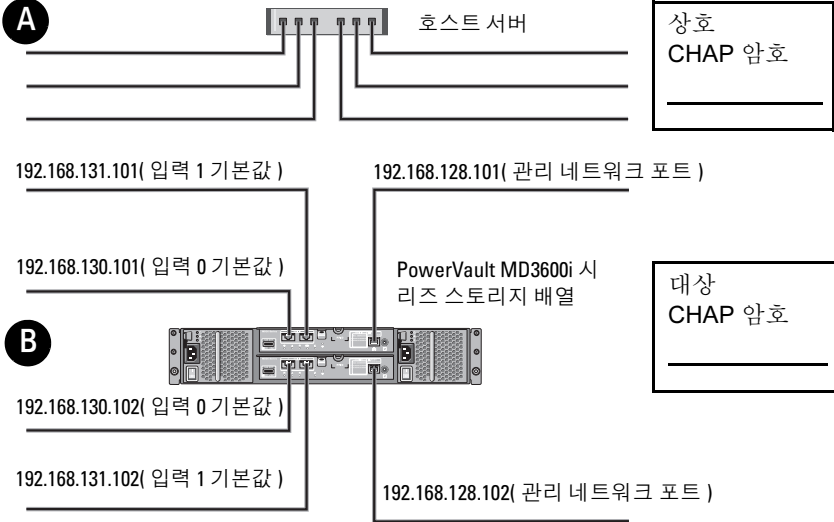
- 호스트 서버와 스토리지 배열 간에 케이블을 연결하기 전에 , 각각의 포트와 커넥터에 물리적으로 라벨을 부착하십시오 .
- 네트워크에서 전원을 순환시킬 경우 반드시 올바른 전원 켜기 및 전원 끄기 절차를 따르십시오 . 또한 , 중요한 네트워크 구성요소들이 개별 전원 회로에 위치하고 있는지 확인해야 합니다 .



주 : 본 설명서에 제시된 그림들은 SAN 환경에서 오직 1 개의 PowerVault MD3600i 시리즈 스토리지 배열에 대한 케이블 연결을 나타냅니다 . 본 그림들은 PowerVault MD3600i 시리즈 스토리지 배열의 기본 IP 주소만을 나타냅니다 . SAN 환경에서 하나 이상의 PowerVault MD3600i 시리즈 스토리지 배열을 케이블로 연결하려면 , *Deployment Guide* (배치 안내서) 를 참조하십시오 .

iSCSI 워크시트 완료


IPv4 설정




둘 이상의 호스트 서버에 대해 추가 공간이 필요한 경우 추가 시트를 사용하십시오.


주 : CHAP(Challenge Handshake Authentication Protocol) 는 스토리지 배열 (대상)에서 호스트 서버의 iSCSI 초기자를 인증하는 선택적인 iSCSI 인증 방법입니다 . 자세한 사항은 , 배치 안 내서의 “CHAP 인증 이해” 를 참조하십시오 .


A 고정 IP 주소 (호스트 서버)	서브넷 마스크	기본 게이트웨이
iSCSI 포트 0
iSCSI 포트 1
관리 포트
B 고정 IP 주소 (스토리지 배열)	서브넷 마스크	기본 게이트웨이
iSCSI 컨트롤러 0, 입력 0
iSCSI 컨트롤러 0, 입력 1
관리 포트 제어 0
iSCSI 컨트롤러 1, 입력 0
iSCSI 컨트롤러 1, 입력 1
관리 포트 제어 1

 주 : IPv6 워크시트에 관한 정보는 , *Deployment Guide(배치 안내서)* 를 참조하십시오 .

기타 설명서 및 필요할 수 있는 매체

 **경고** : 시스템과 함께 제공되는 안전 및 규제 정보를 참조하십시오 . 보증 정보는 이 문서에 포함되거나 별도의 문서로 제공될 수 있습니다 .

 주 : PowerVault MD3600i 시리즈 스토리지 배열과 관련된 모든 문서는 support.dell.com/manuals 에서 이용할 수 있습니다 .

- 랙 솔루션과 함께 제공되는 랙 설명서에는 시스템을 랙에 설치하는 방법이 기술되어 있습니다 .
 - *Owner's Manual(소유자 매뉴얼)*에서는 시스템 기능에 대한 정보를 제공하고 시스템 문제 해결 방법 및 시스템 구성부품 설치 또는 교체 방법을 설명합니다 .
 - *Deployment Guide(배치 안내서)*에서는 소프트웨어와 하드웨어의 설치와 구성에 관한 정보를 제공합니다 .
 - *CLI Guide(CLI 안내서)*에서는 스토리지 배열을 구성하고 관리하기 위해 명령행 인터페이스 (CLI) 를 사용하는 것에 관한 정보를 제공합니다 .
 - *SMI-S Provider Installation Guide(SMI-S 공급자 설치 설명서)*는 SMI-S 공급자 설치에 관한 정보를 제공합니다 .
 - 운영 체제, 시스템 관리 소프트웨어, 시스템 업데이트 및 시스템과 함께 구입한 시스템 구성요소와 관련된 설명서 및 도구를 비롯하여 시스템을 구성 및 관리하는 데 필요한 설명서 및 도구를 제공하는 모든 매체가 시스템과 함께 제공됩니다 .
-  주 : 새로운 업데이트가 없는지 support.dell.com/manuals 에서 항상 확인하십시오 . 업데이트에는 최신 정보가 수록되어 있으므로 다른 문서를 읽기 전에 반드시 먼저 참조하시기 바랍니다 .

호스트 서버 준비

지원되는 운영 체제

- Microsoft Windows Server
- Red Hat Enterprise Linux
- SUSE LINUX Enterprise Server
- VMware



주 : 지원되는 모든 운영 체제 버전에 관한 최신 정보는 support.dell.com/manuals 에서 *Support Matrix* (지원 매트릭스) 를 참조하십시오 .

iSCSI 용 추가 NICs

추가적인 NICs 를 설치하는 경우 , 다음과 같이 권장됩니다 :

- iSCSI 트래픽용 전용 중복 저장장치 네트워크를 사용합니다 . 전용 네트워크를 사용할 수 없는 경우 , 가상 근거리 통신망 (VLAN) 을 사용하여 일반 네트워크 트래픽에서 iSCSI 트래픽을 분리합니다 .
- iSCSI 트래픽 전용의 추가적인 NICs 를 사용합니다 .
- NICs 는 중복성을 위해 쌍으로 추가되어야 합니다 .



주 : 또한 , 단일 NIC 도 지원됩니다 .

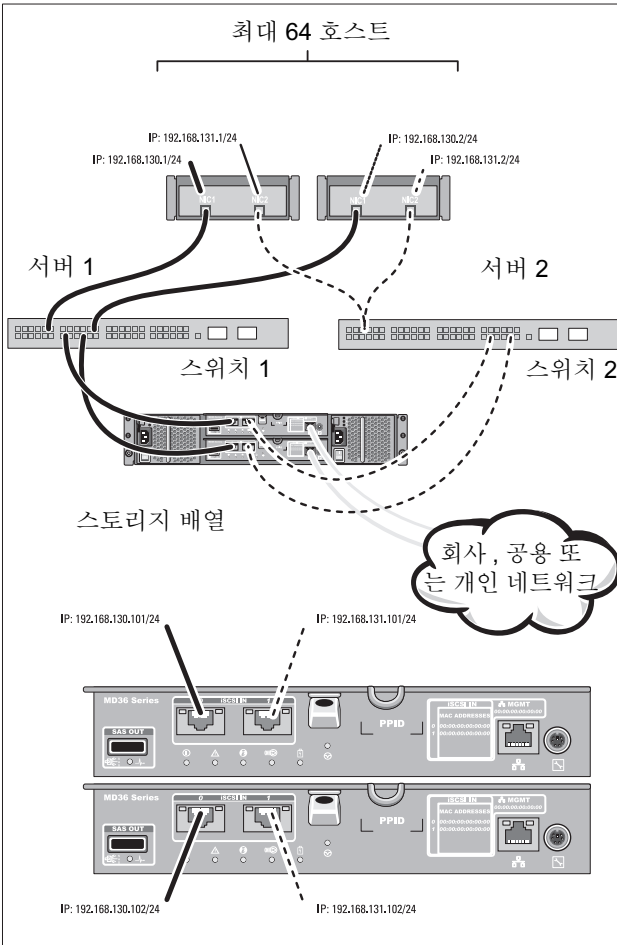
NIC 구성

SAN 환경에서는 스위치 수에 따라 iSCSI 트래픽에 대해 2 개의 고유한 서브넷을 사용하는 것이 좋습니다 . 직접 연결된 저장장치 환경의 경우 , PowerVault MD36xxi 에 직접 연결된 각각의 NIC 는 반드시 개별 서브넷에 위치해야 합니다 . MD 저장장치 소프트웨어를 설치하기 전에 반드시 모든 호스트 IP 주소를 구성해야 합니다 .

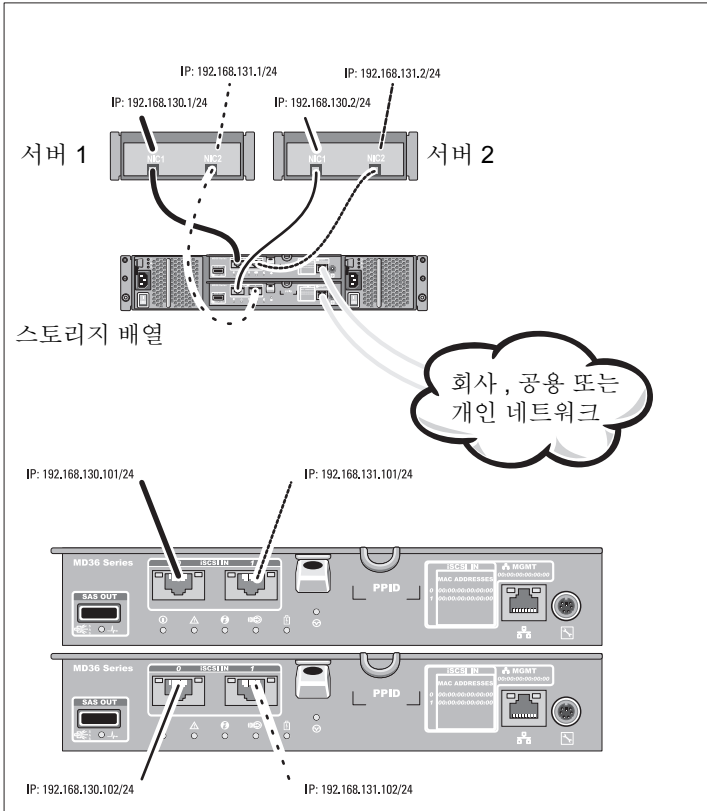
일반구성

SAN 연결 호스트의 케이블 연결

다음 그림에 나타난 바와 같이 서버, 스위치, 및 스토리지 배열 사이에 모든 케이블을 연결하십시오. 스토리지 배열 케이블 연결에 대한 자세한 내용은, support.dell.com/manuals 의 *배치 안내서*를 참조하십시오.



직접 연결 호스트의 케이블 연결



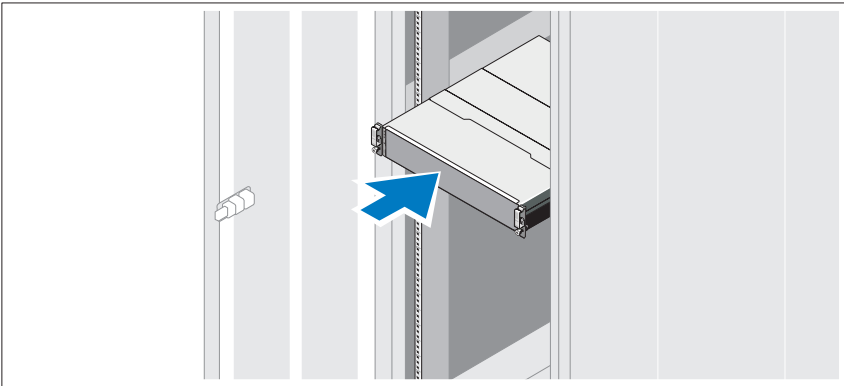
설치 및 구성

⚠ 경고 : 다음 절차를 수행하기 전에 시스템과 함께 제공되는 안전 지침을 검토하십시오.

시스템 포장 풀기

시스템의 포장을 풀고 시스템과 함께 제공된 포장 리스트와 각각의 항목을 비교하여 확인합니다.

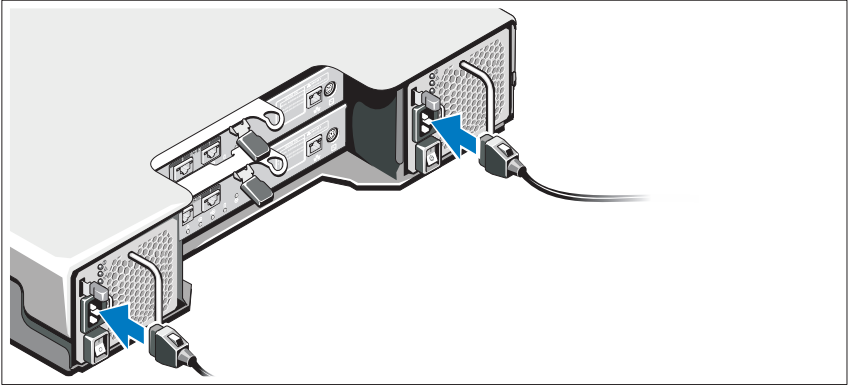
랙에 레일 및 시스템 설치



시스템과 함께 제공되는 안전 지침 및 랙 설치 지침에 따라 레일을 조립하고 시스템을 랙에 설치합니다.

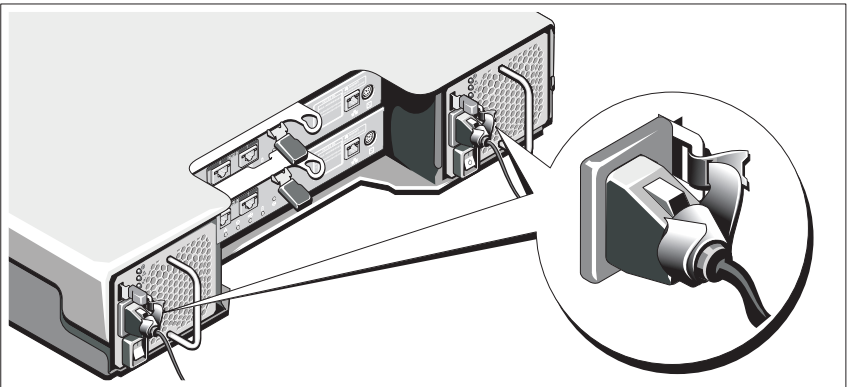
주 : 무게 하중의 균형을 잡으려면, 랙 하단에 PowerVault MD3600i 시리즈 스토리지 배열을 설치하고 그 위에 PowerVault MD1200 시리즈 확장 인클로저를 설치하는 것이 좋습니다.

전원 케이블 연결



전원 케이블을 연결하기 전에 전원 스위치가 꺼짐 (OFF) 위치에 있는지 확인하십시오. 시스템의 전원 케이블을 시스템에 연결합니다.

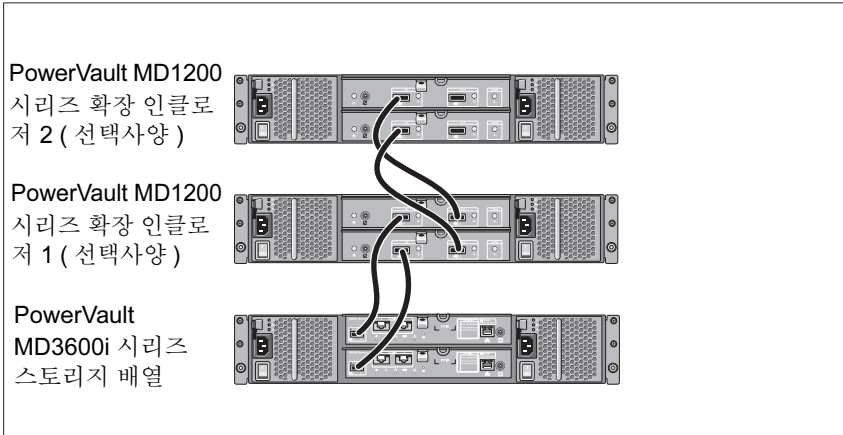
전원 케이블 고정



제공된 스트랩을 사용하여 케이블을 브래킷에 단단히 고정합니다.



전원 케이블의 반대쪽 끝을 접지된 전원이나 UPS(Uninterrupted Power Supply) 또는 PDU(Power Distribution Unit) 와 같은 별도의 전원에 연결합니다. 각각의 전원 공급 장치는 개별 전원 회로에 연결해야 합니다.

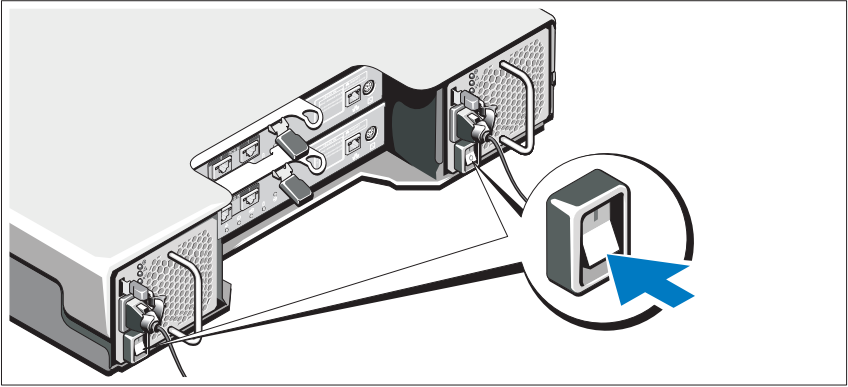
확장 인클로저의 케이블 연결



인클로저 켜기

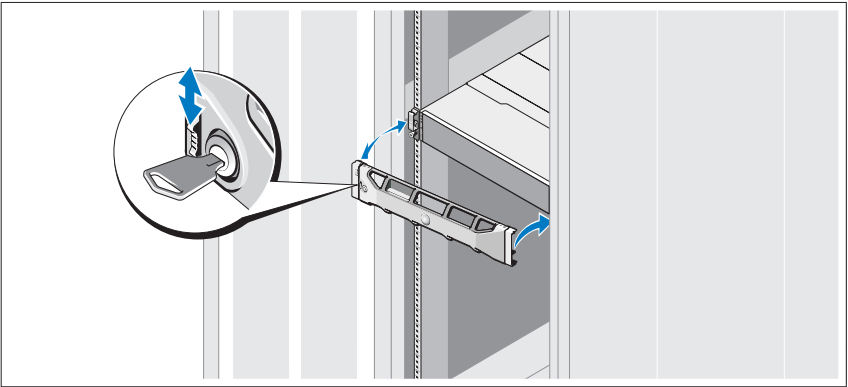
다음의 순서대로 구성요소를 켜십시오 .

- 1 (사용하는 경우) 이더넷 스위치
- 2 (사용하는 경우) PowerVault MD1200 시리즈 확장 인클로저
 -  **주:** 스토리지 배열의 전원을 켜기 전에 ,인클로저 앞에 위치한 확장 인클로저 상태 LED 가 청색인지 확인합니다 .
- 3 PowerVault MD3600i 시리즈 스토리지 배열
 -  **주:** 호스트 서버의 전원을 켜기 전에 ,스토리지 배열 앞에 위치한 스토리지 배열 상태 LED 가 청색인지 확인합니다 .




4 호스트 서버

베젤 설치



베젤 (선택 사양) 을 설치합니다.


MD 스토리지 소프트웨어 설치

 **주 :** MD 스토리지 소프트웨어 설치, 인클로저 설치, 설치후 작업에 관한 자세한 설명은 *배치 안내서*를 참조하십시오 .

MD 스토리지 관리자 소프트웨어는 스토리지 배열을 구성, 관리, 모니터링합니다. MD 구성 유틸리티 (MDCU) 는 관리 및 iSCSI 호스트 포트 구성과 iSCSI 모듈형 디스크 스토리지 배열에 대한 세션 생성에 대한 통합 접근법을 제공하는 선택사양 유틸리티입니다. 스토리지 배열에 연결된 각각의 호스트 서버에 iSCSI 를 구성하려면 MDCU 를 사용하도록 권장합니다. MD 스토리지 소프트웨어를 설치하려면 :


- 1 MD 시리즈 자원 매체를 삽입합니다.

운영 체제에 따라, 설치 프로그램이 자동으로 시작될 수 있습니다. 설치 프로그램이 자동으로 시작되지 않으면, 설치 매체 (또는 다운로드된 설치 프로그램 이미지) 의 루트 디렉터리를 탐색하고 **md_launcher.exe** 파일을 실행합니다. Linux 기반 시스템의 경우, 자원 매체의 루트로 이동한 다음 **autorun** 파일을 실행합니다.

 **주 :** Red Hat Enterprise Linux(RHEL) 운영 체제에는 사용자가 파일을 실행할 수 없도록 하는 **-noexec mount** 옵션을 이용하여 자원 매체를 기본값으로 설치합니다. 이 설정을 변경하려면, 설치 매체의 루트 디렉터리에서 **Readme** 파일을 확인하십시오.

- 2 **Install MD Storage Software**(MD 스토리지 소프트웨어 설치) 를 선택합니다.
- 3 사용 계약서를 읽은 다음, 승인하십시오.
- 4 **Install Set** (설치 세트) 드롭다운 메뉴에서 다음의 설치 옵션 중 하나를 선택합니다:
 - **Full** (전체 (권장)) — MD Storage Manager (클라이언트) 소프트웨어, 호스트 기반 스토리지 에이전트, 다중경로 드라이버, 하드웨어 프로바이더를 설치합니다.
 - **Host Only** (호스트만) — 호스트 기반 스토리지 에이전트와 다중경로 드라이버를 설치합니다.
 - **Management** (관리) — 관리 소프트웨어 및 하드웨어 프로바이더를 설치합니다.
 - **Custom** (사용자 정의) — 특정 구성요소를 선택할 수 있습니다.
- 5 이 호스트 서버를 위한 데이터 스토리지로서 역할을 수행하도록 하려면 설치중인 MD 스토리지 배열 모델을 선택합니다.

- 6 호스트 서버가 재부팅되면 이벤트 모니터 서비스를 자동으로 시작할 것인지 또는 수동으로 시작할 것인지 여부를 선택합니다.


 **주 :** 이 옵션은 Windows 클라이언트 소프트웨어 설치에만 적용 가능합니다.

- 7 설치 위치를 확인하고 **Install**(설치) 를 클릭합니다.

- 8 프롬프트시 , 설치가 완료되면 호스트 서버를 재부팅합니다.


- 9 재부팅이 완료되면 , MDCU 는 자동으로 시작될 수 있습니다 .
MDCU 가 자동으로 시작되지 않으면 , 수동으로 시작하십시오 .

- Windows 기반 운영 체제의 경우 , 시작 → Dell → 모듈러 디스크 구성 유틸리티 를 클릭합니다 .
- Linux 기반 운영 체제의 경우 , 바탕화면의 모듈러 디스크 구성 유틸리티 아이콘을 더블 클릭합니다 .

 **주 :** MDCU 가 설치 않된 경우 , support.dell.com/manuals 에서 *Deployment Guide* (배치 안내서) 를 참조하십시오 .

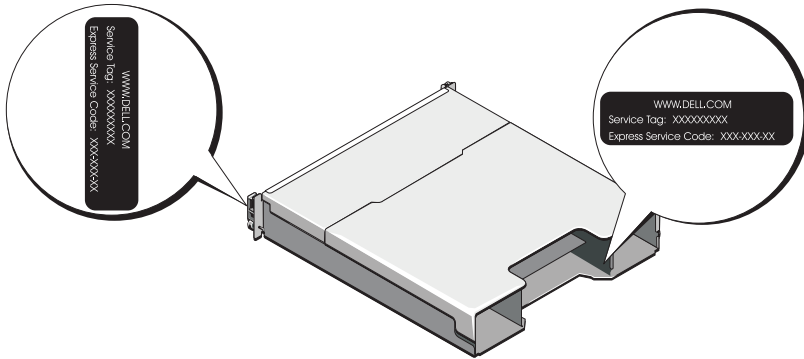
- 10 MD Storage Manager(MD 스토리지 관리자)를 시작하고 어레이를 찾으십시오 .

- 11 적용 가능한 경우 , 스토리지 배열와 함께 구입한 고급 기능을 활성화합니다 . 고급 기능을 구입한 경우 , 스토리지 배열와 함께 제공된 출력한 활성화 카드를 참조하십시오 .

 **주 :** MD Storage Manager (MD 스토리지 관리자) 설치 프로그램은 스토리지 배열을 작동하기 위해 필요한 드라이버 , 펌웨어 , 운영체제 패치 / 핫픽스를 자동으로 설치합니다 . 이러한 드라이버와 펌웨어는 support.dell.com 에서도 사용이 가능합니다 . 또한 , 특정 스토리지 배열에 필요한 추가 설정 및 / 또는 소프트웨어는 support.dell.com/manuals 에 있는 *Support Matrix* (지원 매트릭스) 를 참조하십시오 .

서비스 태그 찾기

사용자의 시스템은 고유한 특급 서비스 코드 및 서비스 태그 번호로 식별됩니다. 특급 서비스 코드와 서비스 태그는 시스템 전면과 RAID 컨트롤러 모듈 옆의 시스템 후면에서 확인할 수 있습니다. 이 정보는 Dell 에서 적절한 직원과 지원 통화를 구성할 경우 사용됩니다.



NOM 정보 (멕시코에만 해당)

다음 정보는 멕시코 표준 규격 (NOM) 의 요구 사항을 준수하는 본 문서에 기술된 장치에 대한 내용입니다.

수입업체 : Dell Inc. de México, S.A. de C.V.
Paseo de la Reforma 2620 -11º Piso
Col. Lomas Altas
11950 México, D.F.

모델 번호 : E03J 및 E04J
공급 전압 : 100 ~ 240V CA
주파수 : 50/60Hz
전류 소모량 : 8.6 A

기술 사양

드라이브

PowerVault MD3600i	3.5 인치 SAS 핫스왑이 가능한 하드 드라이브 최대 12 개 (3.0 Gbps 및 6.0 Gbps)
PowerVault MD3620i	2.5 인치 SAS 핫스왑이 가능한 하드 드라이브 최대 24 개 (3.0 Gbps 및 6.0 Gbps)

RAID 컨트롤러 모듈

RAID 컨트롤러 모듈	<ul style="list-style-type: none">온도 센서가 부착된 핫스왑이 가능한 모듈 1 개 또는 2 개컨트롤러 당 2 GB 의 캐시
--------------	--

후면 패널 커넥터 (RAID 컨트롤러 모듈 당)

iSCSI 커넥터	2 개의 호스트 연결용 10 GB iSCSI IN 커넥터
SAS 확장 커넥터	추가적인 PowerVault MD1200 시리즈 인클로저에 대한 확장용 SAS 출력 포트 1 개 주 : SAS 커넥터는 SFF-8088 을 준수합니다
직렬 커넥터	6 핀 미니 DIN 커넥터 1 개 주 : 기술 지원 사용 전용
관리 이더넷 커넥터	인클로저의 대역외 관리를 위한 100/1000 베이스 T 포트 이더넷 1 개 주 : 기본 및 보조 RAID 컨트롤러 모듈을 위한 기본 관리 포트 IP 주소는 각각 192.168.128.101 및 192.168.128.102 입니다 . 기본적으로 , 관리 포트는 동적 호스트 구성 프로토콜 (DHCP) 로 설정됩니다 . 컨트롤러가 지정된 타임아웃 시간 (약 3 분) 이내에 DHCP 서버에서 IP 주소 구성을 얻을 수 없는 경우 , 정적 IP 주소 지정 방식으로 변경됩니다 . 자세한 내용은 <i>Deployment Guide</i> (배치 안내서) 를 참조하십시오

확장

PowerVault MD1200 시리즈

PowerVault MD1200 또는 PowerVault MD1220 확장 인클로저의 조합에 의해 최대 192 개의 하드 드라이브를 지원합니다. 192 개의 하드 드라이브에 대한 지원은 고급 기능으로 활성화가 필요합니다. 고급 기능을 사용하지 않고 지원되는 최대 하드 드라이브 수는 120 입니다.

중복 경로 연결성은 각각의 하드 드라이브에 대한 중복 데이터 경로를 제공합니다.

후면판 보드

커넥터

- SAS 하드 드라이브 커넥터 12 또는 24 개
- 전원 공급 장치 / 냉각 팬 모듈 커넥터 2 개
- RAID 컨트롤러 모듈 커넥터 2 세트
- 전면 LED와 인클로저 모드 스위치용 제어 판 커넥터 1 개

센서

온도 센서 2 개

LED 표시등

전면 패널

- 시스템 상태 표시를 위한 2 색 LED 표시등 1 개
- 전원 및 인클로저 모드용 단색 LED 표시등 2 개

주 : 인클로저 모드 LED 는

PowerVault MD3600i 시리즈 스토리지 배열에 적용할 수 없습니다.

하드 드라이브 캐리어

- 단색 작동 LED 1 개
- 2 색 LED 상태 표시등 1 개 (드라이브당)

전원 공급 장치 / 냉각팬

전원 공급 장치 상태, 전원 공급 장치 / 팬 오류 및 AC 상태 표시를 위한 LED 상태 표시등 3 개

LED 표시등 (계속)

RAID 컨트롤러 모듈	8 개의 단일 컬러 LEDs: <ul style="list-style-type: none">• 전지 결함 표시용 1 개• 캐시 활성화 표시용 1 개• 컨트롤러 결함 표시용 1 개• 컨트롤러 전원 표시용 1 개• 시스템 확인용 1 개• 관리 이더넷 작동 표시용 1 개• 2 개의 iSCSI IN 포트 작동 4 개의 2 색 LEDs: <ul style="list-style-type: none">• 2 개의 iSCSI IN 링크 속도• SAS 출력 링크 또는 결함 표시용 1 개• 관리 이더넷 링크 속도 표시용 1 개
--------------	---

스위치

시스템 확인 단추	전면 제어판에 있음 . 이 단추는 랙에서 시스템의 위치를 확인하는데 사용됩니다 .
인클로저 모드 스위치	시스템의 전면에 위치함 . 본 스위치는 PowerVault MD3600i 시리즈 스토리지 배열에 적용할 수 없습니다 .
암호 재설정 스위치	RAID 컨트롤러 모듈의 후면 패널에 위치함 . 이 스위치는 스토리지 배열 암호 재설정에 사용됩니다 .

전원 공급 장치

AC 전원 공급 장치 (전원 공급 장치당)

와트	600 W
전압	100–240 VAC (8.6 A–4.3 A)
열 손실	100 W
최대 유입 전류	일반적인 라인 상태 및 전체 시스템의 주변 작동 범위에서는 유입 전류가 10ms 이하인 동안 전원 공급 장치마다 최대 55A 에 달할 수 있습니다

사용 가능한 하드 드라이브 전원 (슬롯당)

PowerVault MD3600i	25 W
PowerVault MD3620i	12 W

RAID 컨트롤러 모듈 전원 (슬롯당)

최대 소비 전력	100 W
----------	-------

실제

PowerVault MD3600i

높이	8.68 cm (3.41 인치)
너비	44.63cm (17.57 인치)
깊이	60.20 cm (23.70 인치)
무게 (최대 구성 시)	29.30 kg (64.6 lb)
무게 (비어 있을 경우)	8.84 kg (19.5 lb)

PowerVault MD3620i

높이	8.68 cm (3.41 인치)
너비	44.63cm (17.57 인치)
깊이	54.90 cm (21.61 인치)
무게 (최대 구성 시)	24.2 kg (53.4 lb)
무게 (비어 있을 경우)	8.61 kg (19lb)

환경적 특성

주 : 특정 시스템 구성을 위한 환경 측정에 대한 자세한 내용은 www.dell.com/environmental_datasheets 를 참조하십시오 .

온도

작동	10° C ~ 35° C (50° F ~ 95° F), 시간당 최고 10° C 의 온도 변화 기준 주 : 2,950 피트 이상의 고도인 경우 최대 작동 온도는 1° F/550ft 로 감소됩니다
보관	-40° ~65° C (-40° ~149° F), 시간당 최고 20° C 의 온도 변화 기준

환경적 특성 (계속)

상대 습도

작동 20% ~ 80% (비응축), 시간당 최고 10%의 습도 변화 기준

보관 5 ~ 95% (비응축)

최대 진동

작동 3 ~ 200Hz 에서 15 분간 0.25G

보관 3 ~ 200Hz 에서 15 분간 0.5G

최대 충격

작동 방향으로 2.6ms 동안 (+) z 축으로 31G의 충격 펄스 1 회 (시스템 각 면에 1 회의 펄스)

보관 최대 2ms 동안 (+/-) x, y, z 축으로 71G의 연속 충격 펄스 6 회 (시스템 각 면에 1 회의 펄스)

고도

작동 -16 ~ 3,048m (-50 ~ 10,000ft)

주 : 2,950 피트 이상의 고도에서 최대 작동 온도는 1° F/550ft 로 감소됩니다.

보관 -16 ~ 10,600m (-50 ~ 35,000ft)

공기 중 오염 물질 수준

등급 ISA-S71.04-1985 의 규정에 따른 G1

Printed in China.
中国印制
Dicetak di China.
중국에서 인쇄
Printed on Recycled Paper.

www.dell.com | support.dell.com



022P7FA02

Printed in Malaysia.

马来西亚印制

Dicetak di Malaysia.

말레이시아에서 인쇄

www.dell.com | support.dell.com



022P7FA02